



FLANGELESS CHECK VALVE

MODEL **CKF3M/CKF3R**
STAINLESS STEEL

DISC TYPE CHECK VALVE BETWEEN FLANGES

Features

Compact stainless steel check valve for steam, air, water and other fluid services.

1. Fine-machined metal or fluorine rubber valve seat provides tight closure.
2. Stainless steel body and internal parts ensure long service life.
3. Performance assured with installation in either horizontal or vertical pipelines.
4. Can be simply installed between all major flange types without measuring instruments, concentric due to its unique body shape.
5. Easy repair and maintenance possible.



Specifications

Model	CKF3M	CKF3R
Connection	Between Flanges	Between Flanges
Size	DN 15, 20, 25, 32, 40	DN 15, 20, 25, 32, 40
Connectable Flange Standards	Shown on reverse	Shown on reverse
Sealing Surface	Stainless Steel	Fluorine Rubber
Maximum Operating Pressure (barg) PMO	30	16
Minimum Opening Differential Pressure (bar)	0.02	0.02
Minimum Required Differential Pressure for Tight Sealing (bar)	—	0.5
Maximum Operating Temperature (°C) TMO	350	150
Applicable Fluids*	Steam, Water	Air, Water

* Do not use for toxic, flammable or otherwise hazardous fluids.

1 bar = 0.1 MPa

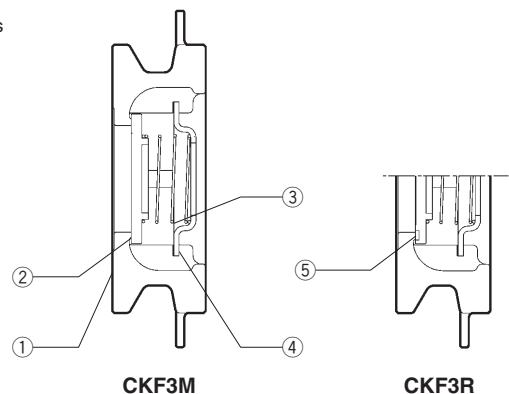
PRESSURE SHELL DESIGN CONDITIONS (**NOT** OPERATING CONDITIONS): Maximum Allowable Pressure (barg) PMA: 30
Maximum Allowable Temperature (°C) TMA: 350



To avoid abnormal operation, accidents or serious injury, DO NOT use this product outside of the specification range. Local regulations may restrict the use of this product to below the conditions quoted.

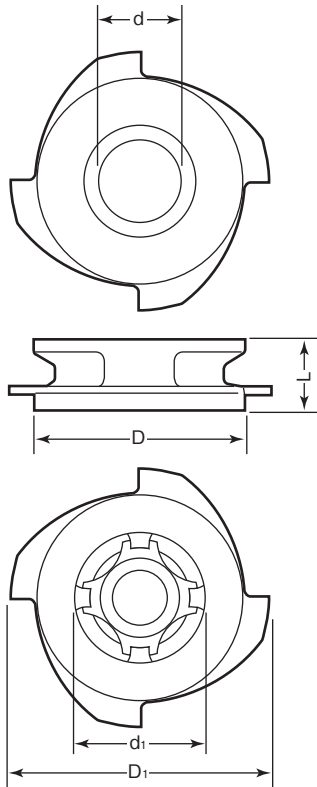
No.	Description	Material	DIN*	ASTM/AISI*
①	Body	Cast Stainless Steel A351 Gr.CF8	1.4312	—
②	Valve Disc	Stainless Steel SUS303	1.4305	AISI303
③	Coil Spring	Stainless Steel SUS304	1.4301	AISI304
④	Spring Holder	Stainless Steel SUS304	1.4301	AISI304
⑤	Valve Disc Inlay (CKF3R)	Fluorine Rubber FPM	FPM	D2000HK

* Equivalent materials



Dimensions

● **CKF3M/CKF3R** Flangeless



CKF3M/CKF3R Flangeless (mm)

DN	L	φ D	D ₁	φ d	φ d ₁	Weight (kg)
15	16	43	64	15	25	0.14
20	19	53	69	20	33	0.22
25	22	63	79	25	40	0.33
32	28	72.5	89	32	48	0.51
40	31.5	81	100	40	57	0.62

Connectable Flange Standards

DN	ASME, JPI	JIS	DIN	BS Table
15, 20	Class 150, 300	5, 10, 16, 20, 30K	PN 6, 10, 16, 25, 40	A, D, E, F, H, J
25-40	Class 125, 150, 250, 300			

Cv & Kvs Values

DN	15	20	25	32	40
Kvs (DIN)	3.9	7.5	14	17	25
Cv (UK)	3.8	7.3	13	17	24
Cv (US)	4.6	8.8	16	20	29

Manufacturer

ISO 9001/ISO 14001

TLV CO., LTD.
Kakogawa, Japan

is approved by LRQA Ltd. to ISO 9001/14001

