



Manufacturer

**TLV** CO., LTD.

Kakogawa, Japan

is approved by LRQA Ltd. to ISO 9001/14001



**TLV**®

# Instruction Manual

# **PowerTrap**®

## **GT5C**

## Contents

Introduction.....	2
Safety Considerations .....	3
General Description.....	5
Application.....	5
Operation.....	6
Specifications .....	7
Configuration .....	8
Installation .....	9
Steam System Example .....	9
Installation Procedure.....	11
Sizing the Condensate Reservoir Pipe .....	13
Maintenance Space and Tolerance Angle for Installation	14
Operation and Periodic Inspection .....	15
Operation.....	15
Periodic Inspection and Diagnosis.....	16
Disassembly/Reassembly .....	17
Recommended Tools List for Disassembly/Reassembly .....	18
1. Before Removing/Reattaching .....	19
2. Removing/Reattaching the Body from/to the Cover .....	20
3. Removing/Reattaching the Snap Action Unit .....	20
4. Removing/Reattaching Each Unit .....	22
5. Removing/Reattaching of Air Vent Unit.....	23
6. Positioning Adjustment of the Trap Valve .....	24
Troubleshooting.....	25
Determining the Problem from the Symptoms .....	25
Types of Failure and their Causes .....	26
Causes and Corrective Measures.....	27
Replacement Parts.....	30
TLV EXPRESS LIMITED WARRANTY .....	31
Service .....	33

## Introduction

Thank you for purchasing the TLV PowerTrap.

This product has been thoroughly inspected before being shipped from the factory. When the product is delivered, before doing anything else, check the specifications and external appearance to make sure nothing is out of the ordinary. Also, be sure to read this manual carefully before use and follow the instructions to be sure of using the product properly.










If detailed instructions for special order specifications or options not contained in this manual are required, please contact TLV for full details.

This instruction manual is intended for use with the model listed on the front cover. It is necessary not only for installation, but for subsequent maintenance, disassembly/reassembly and troubleshooting. Please keep it in a safe place for future reference.

## Safety Considerations

- Read this section carefully before use and be sure to follow the instructions.
- Installation, inspection, maintenance, repairs, disassembly, adjustment and valve opening/closing should be carried out only by trained maintenance personnel.
- The precautions listed in this manual are designed to ensure safety and prevent equipment damage and personal injury. For situations that may occur as a result of erroneous handling, three different types of cautionary items are used to indicate the degree of urgency and the scale of potential damage and danger: DANGER, WARNING and CAUTION.
- The three types of cautionary items above are very important for safety: be sure to observe all of them as they relate to installation, use, maintenance and repair. Furthermore, TLV accepts no responsibility for any accidents or damage occurring as a result of failure to observe these precautions.

### Symbols

	<p>Indicates a <b>DANGER, WARNING or CAUTION</b> item.</p>
	<p>Indicates an urgent situation which poses a threat of death or serious injury</p>
	<p>Indicates that there is a potential threat of death or serious injury</p>
	<p>Indicates that there is a possibility of injury or equipment / product damage</p>
	<p><b>NEVER apply direct heat to the float.</b> The float may explode due to increased internal pressure, causing accidents leading to serious injury or damage to property and equipment.</p>
	<p><b>Install properly and DO NOT use this product outside the recommended operating pressure, temperature and other specification ranges.</b> Improper use may result in such hazards as damage to the product or malfunctions that may lead to serious accidents. Local regulations may restrict the use of this product to below the conditions quoted.</p>
	<p><b>Use hoisting equipment for heavy objects (weighing approximately 20 kg (44 lb) or more).</b> Failure to do so may result in back strain or other injury if the object should fall.</p>
	<p><b>Take measures to prevent people from coming into direct contact with product outlets.</b> Failure to do so may result in burns or other injury from the discharge of fluids.</p>
	<p><b>When disassembling or removing the product, wait until the internal pressure equals atmospheric pressure and the surface of the product has cooled to room temperature.</b> Disassembling or removing the product when it is hot or under pressure may lead to discharge of fluids, causing burns, other injuries or damage.</p>

Continued on the next page

**CAUTION**

**Be sure to use only the recommended components when repairing the product, and NEVER attempt to modify the product in any way.**

Failure to observe these precautions may result in damage to the product and burns or other injury due to malfunction or the discharge of fluids.

**Do not use excessive force when connecting threaded pipes to the product.**

Over-tightening may cause breakage leading to fluid discharge, which may cause burns or other injury.

**Use only under conditions in which no freeze-up will occur.**

Freezing may damage the product, leading to fluid discharge, which may cause burns or other injury.

**Use only under conditions in which no water hammer will occur.**

The impact of water hammer may damage the product, leading to fluid discharge, which may cause burns or other injury.

**Take measures to ensure the proper handling, such as recovery or dilution, of hazardous fluids discharged at product outlets.**

Outflow of fluid or fluid leaks may lead to hazards such as flammable conditions or corrosion, which may result in injury, fires, damage or other accidents.

- Be sure to install a vent pipe and an overflow pipe. Failure to install an overflow pipe is dangerous, as condensate may spurt from the vent pipe and could result in burns and other injuries.
- Pipe the vent pipe and the overflow pipe to a safe place such as a pit.

- After completing all piping work based on the designed piping system, make sure that all piping connections are properly and securely tightened and gaskets are properly installed.
- During the initial operation of the system, a large amount of condensate may flow into the PowerTrap and temporarily cause it to overflow. Open the inlet valve slowly to allow condensate to flow into the trap slowly.

- Repairs or disassembly of the piping, adjustment and valve opening/closing should be carried out only by trained maintenance personnel.
- Before connecting piping or disassembling the product, close the inlet and outlet valves and make every effort to reduce the internal pressure to cool the product to room temperature.
- When disassembling connecting parts, remove pipes and bolts slowly to prevent condensate from suddenly flowing out in the event of residual pressure inside the product.

Disassembling or removing the product when it is hot or under pressure may lead to discharge of fluids, causing burns, other injuries or damage.

## General Description

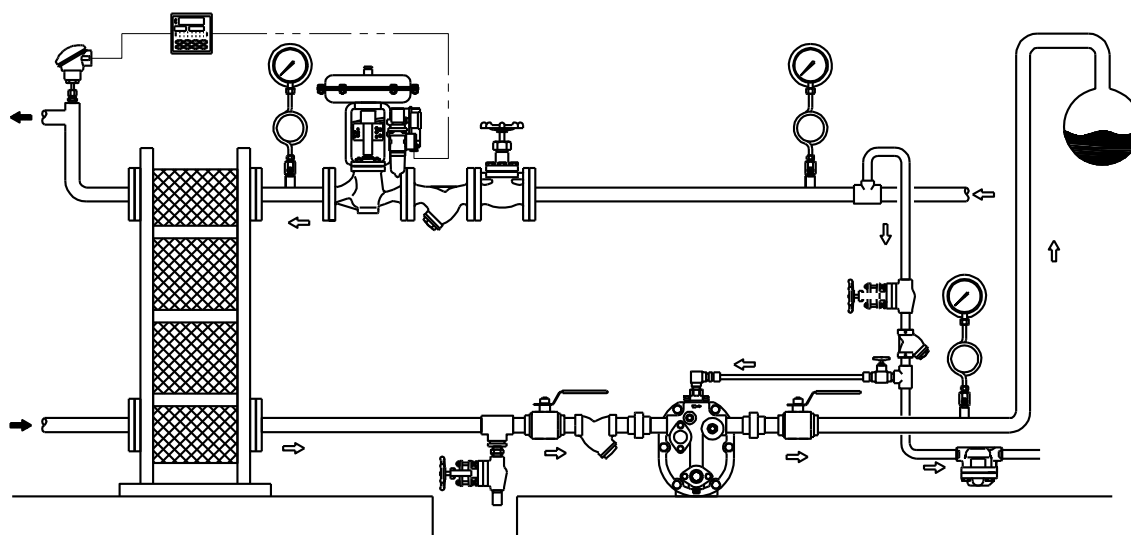


Install properly and DO NOT use this product outside the recommended operating pressure, temperature and other specification ranges. Improper use may result in such hazards as damage to the product or malfunctions which may lead to serious accidents. Local regulations may restrict the use of this product to below the conditions quoted.

## Application

PowerTrap GT5C can be used as a standard steam trap, and also has an integrated pumping function that can eliminate and pump out condensate even if condensate cannot be discharged due to very low supply steam pressure because of reduced load in the steam using equipment (this phenomenon is referred to in this document as 'stall').

GT5C can also discharge the accumulated condensate when the steam using equipment stops operation, and prevent water hammer when it re-starts operation.

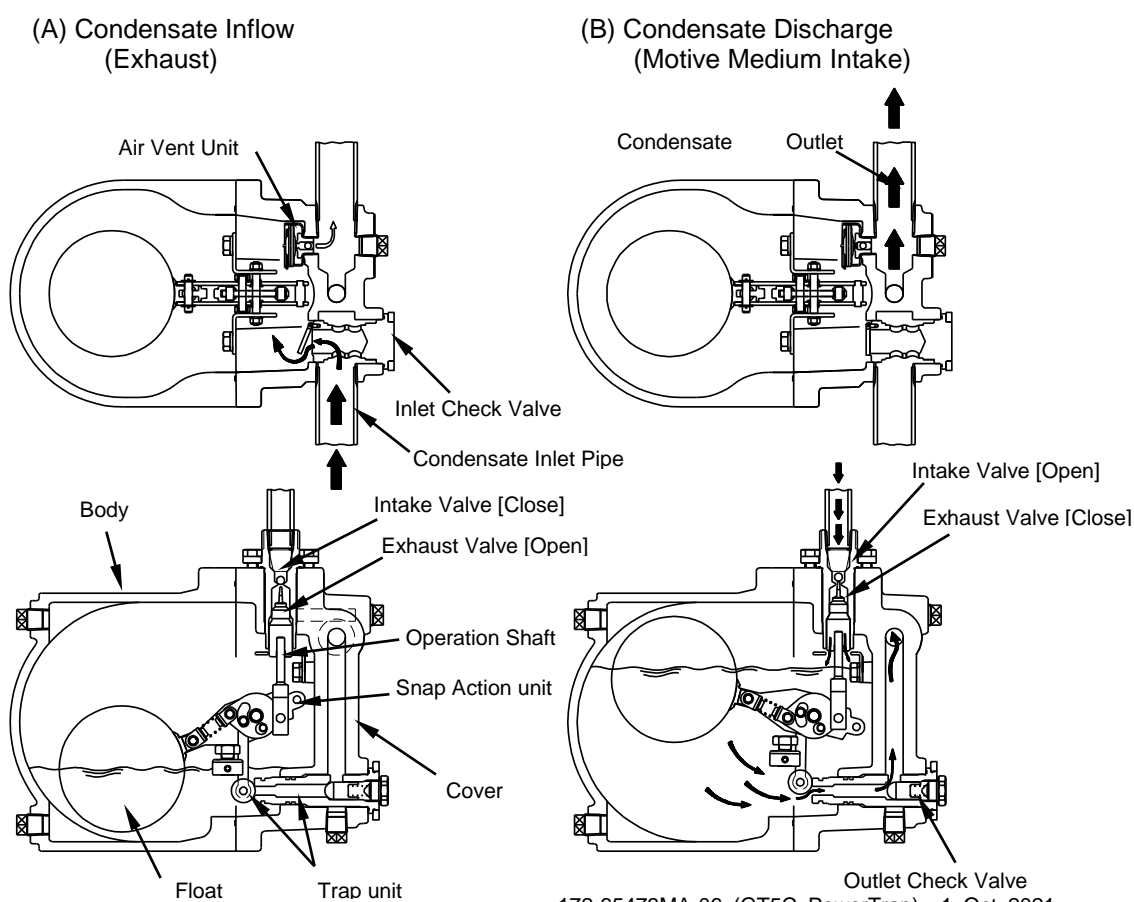


## Operation



Take measures to prevent people from coming into direct contact with product outlets. Failure to do so may result in burns or other injury from the discharge of fluids.

- (1) When condensate flows from the condensate inlet pipe through the inlet check valve into the body of the unit, the float rises and the main valve of the trap unit is open as shown in (A) below.
  - The main valve on the trap unit opens as the float rises. When  $P_i > P_b$  (when the equipment pressure ( $P_i$ ) is greater than the back pressure ( $P_b$ )), the condensate passes through the outlet check valve and is discharged through the condensate outlet pipe (normal trapping function). In this case, the integrated air vent unit exhausts internal air to the outlet.
  - When  $P_i \leq P_b$ , the condensate is not discharged and collects in the body of the unit.
- (2) When the float rises to its high level, the push rod on the snap-action unit rises quickly, simultaneously closing the exhaust valve and opening the intake (motive medium) valve. The pressure supplied by the motive medium causes the internal pressure in the unit to become greater than the back pressure. The inlet check valve closes and the outlet check valve is pushed open, thus discharging the condensate in the unit through the outlet pipe, as shown in (B) below.
- (3) As a result of the condensate in the unit being discharged, the water level in the unit drops and the float descends. When the float reaches its low level, the push rod on the snap-action unit moves down quickly, simultaneously opening the exhaust valve and closing the intake (motive medium) valve and the status reverts to that shown in (A) below.



## Specifications



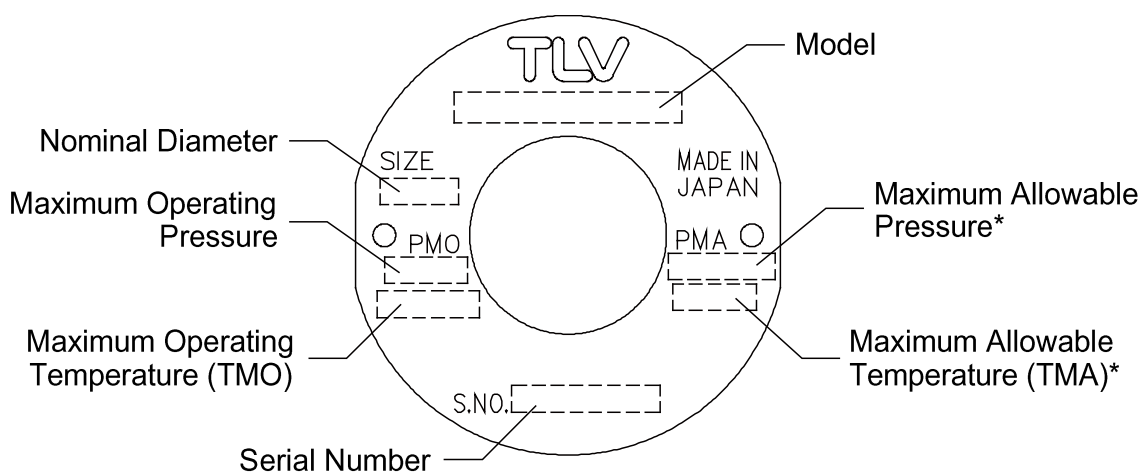
Install properly and **DO NOT** use this product outside the recommended operating pressure, temperature and other specification ranges. Improper use may result in such hazards as damage to the product or malfunctions which may lead to serious accidents. Local regulations may restrict the use of this product to below the conditions quoted.



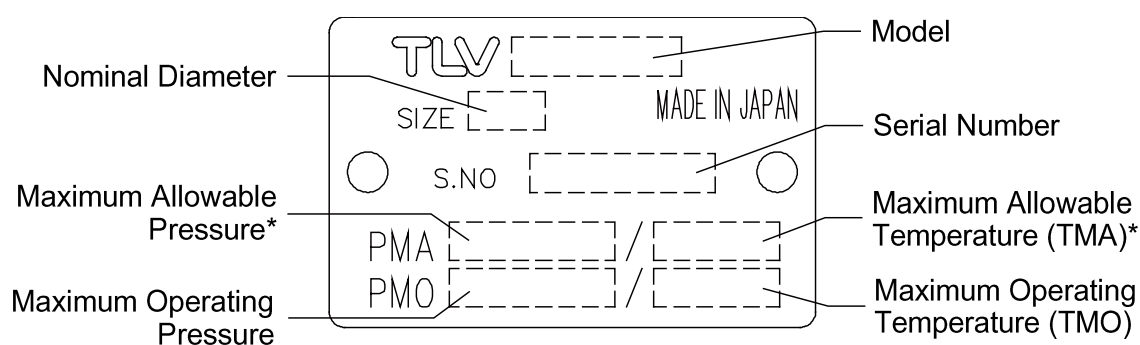
Use only under conditions in which no freeze-up will occur. Freezing may damage the product, leading to fluid discharge, which may cause burns or other injury.

Refer to the product nameplate for detailed specifications.

Body Material: Cast Iron



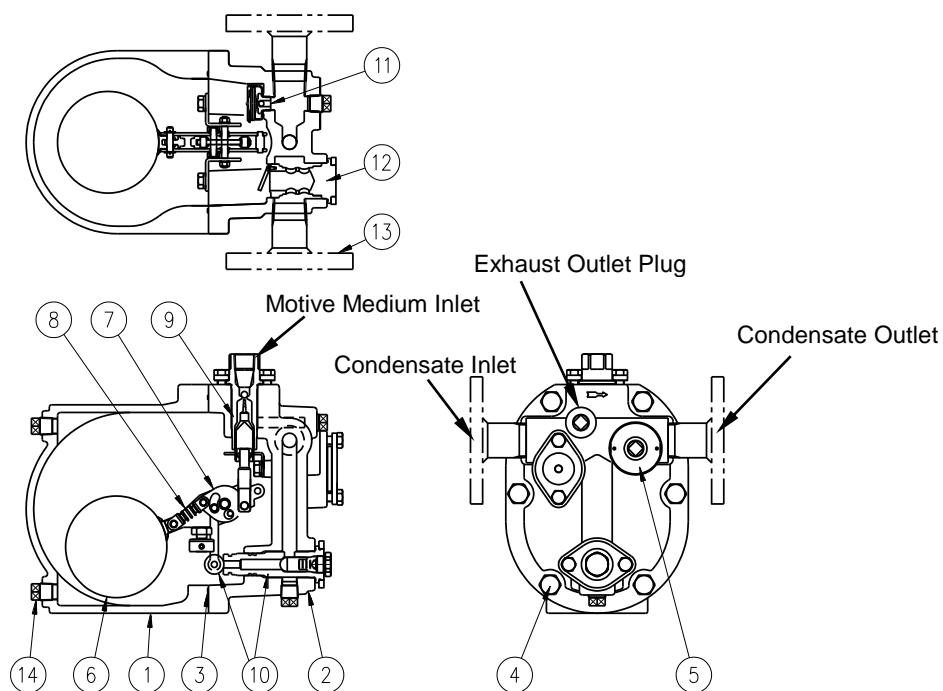
Body Material: Stainless Steel



\* Maximum allowable pressure (PMA) and maximum allowable temperature (TMA) are PRESSURE SHELL DESIGN CONDITIONS, **NOT** OPERATING CONDITIONS.



## Configuration



NO.	Parts		Maintenance Kit	Repair Kit *1					Float	Snap Action Spring
				A	B	C	D	E		
1	Body									
2	Cover									
3	Gaskets, etc.	Gasket	✓							
		Seal set	✓							
4	Cover Bolt									
5	Nameplate									
6	Float						✓			
7	Snap-Action Unit				✓*2					
8	Snap Action Spring							✓		
9	Intake-Exhaust Valve Unit			✓						
10	Trap Unit					✓				
11	Air Vent Unit				✓					
12	Inlet Check Valve						✓			
13	(Flange)									
14	Plug (for drainage)									

Please refer to the replacement parts list for maintenance and repair kits.

\*1 The maintenance kit should be purchased along with a repair kit, as gaskets might be required.

\*2 A snap action spring is also contained in the snap-action unit.

## Installation



Install properly and **DO NOT** use this product outside the recommended operating pressure, temperature and other specification ranges. Improper use may result in such hazards as damage to the product or malfunctions which may lead to serious accidents. Local regulations may restrict the use of this product to below the conditions quoted.



Use hoisting equipment for heavy objects (weighing approximately 20 kg (44 lb) or more). Failure to do so may result in back strain or other injury if the object should fall.



Take measures to prevent people from coming into direct contact with product outlets. Failure to do so may result in burns or other injury from the discharge of fluids.



Do not use excessive force when connecting threaded pipes to the product. Over-tightening may cause breakage leading to fluid discharge, which may cause burns or other injury.



Use only under conditions in which no water hammer will occur. The impact of water hammer may damage the product, leading to fluid discharge, which may cause burns or other injury.

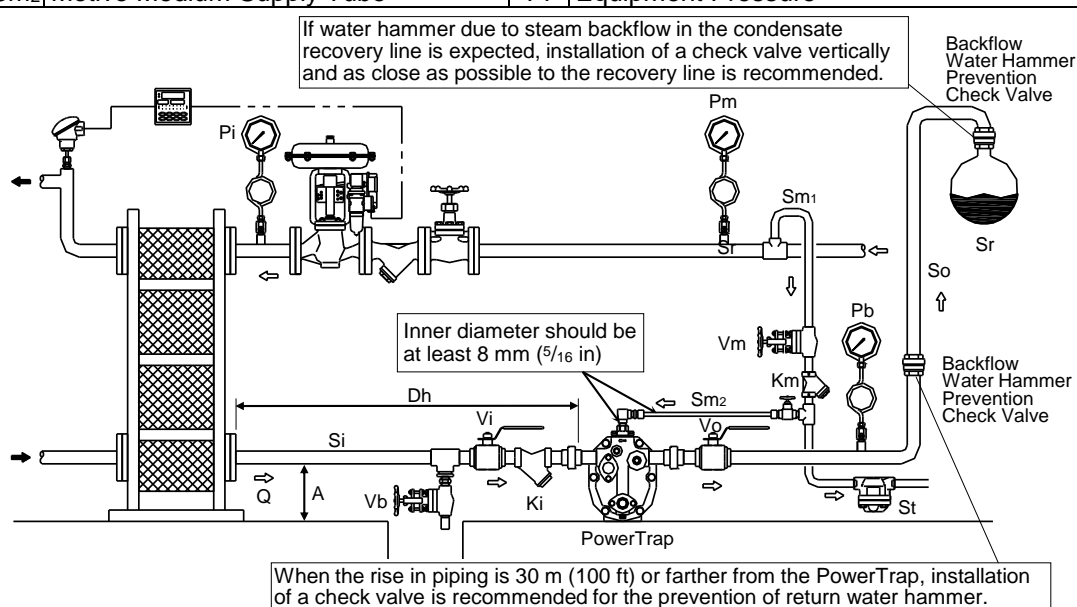
## Steam System Example

For non-standard options, please refer to the additional instruction manual(s) provided.

### 1. Standard Installation Example

The example below shows the inlet piping is connected to the inlet of GT5C in the same way as a standard steam trap. The condensate inlet pipe [Si] acts like a condensate reservoir. Refer to "Sizing the Condensate Reservoir Pipe" at the end of this section for the size of condensate inlet pipe [Si] (length of Dh).

Q	Pumped medium	Dh	Condensate Receiver/Reservoir
A	Filling Head	Ki	Condensate Inlet Strainer
Pm	Motive Medium Supply Pressure	Km	Motive Medium Strainer
Pb	Back Pressure	St	Steam Trap
Si	Condensate Inlet Pipe	Vi	Valve on Condensate Inlet Pipe
So	Condensate Outlet Pipe	Vo	Valve on Condensate Outlet Pipe
Sr	Condensate Recovery Line	Vm	Valve on Motive Medium Supply Pipe
Sm <sub>1</sub>	Motive Medium Supply Pipe	Vb	Blowdown Valve
Sm <sub>2</sub>	Motive Medium Supply Tube	Pi	Equipment Pressure

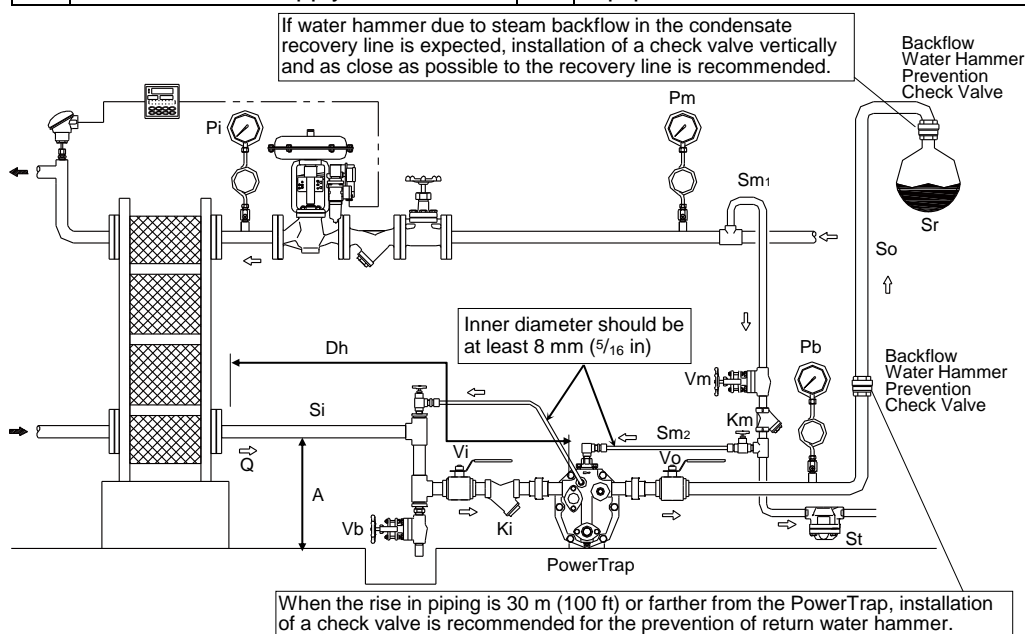


\*Refer to diagrams shown in "Installation Procedure" and "(4) Inlet and Outlet Piping" in this section for the length of condensate reservoir (Dh) in cases where the exhaust pipe is eliminated and there is vertical piping on the pumped medium inlet due to elevated position of the equipment condensate outlet.

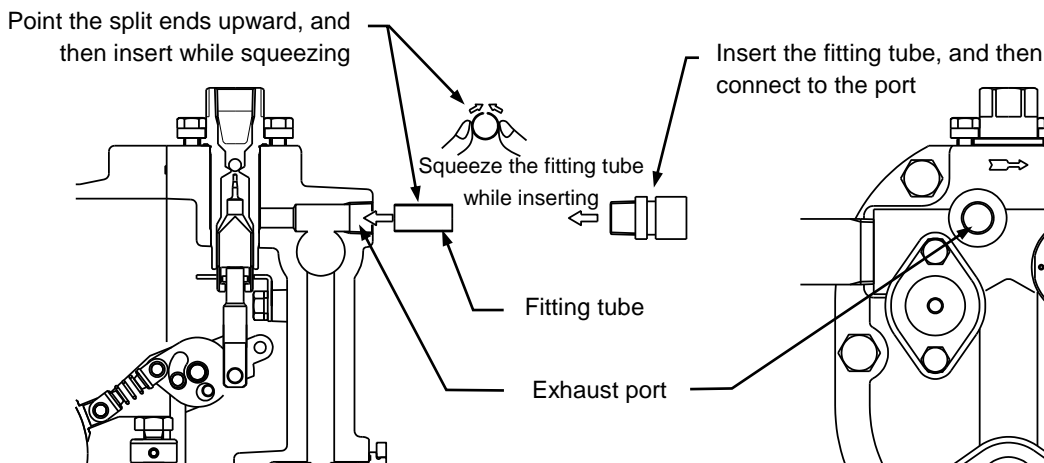
2. Installation Example for Increasing Pump Discharge Capacity

The pumping discharge capacity can be increased by raising the filling head [A]. Refer to the latest GT5C data sheet for the discharge capacity on each filling head and “Sizing of the Condensate Reservoir Pipe” at the end of this section for the size of condensate inlet pipe [Si] (length of Dh).

Q	Condensate Supply	Dh	Condensate Reservoir
A	Filling Head	Ki	Condensate Inlet Strainer
Pm	Motive Medium Supply Pressure	Km	Motive Medium Strainer
Pb	Back Pressure	St	Steam Trap
Si	Condensate Inlet Pipe	Vi	Valve on Condensate Inlet Pipe
So	Condensate Outlet Pipe	Vo	Valve on Condensate Outlet Pipe
Sr	Condensate Recovery Line	Vm	Valve on Motive Medium Supply Pipe
Sm <sub>1</sub>	Motive Medium Supply Pipe	Ve	Valve on Exhaust Pipe
Se	Exhaust Pipe/Tube	Vb	Blowdown Valve
Sm <sub>2</sub>	Motive Medium Supply Tube	Pi	Equipment Pressure



In the above case, exhaust pipe [Se] should be connected from exhaust outlet to the top of condensate inlet pipe [Si] (= condensate reservoir [Dh]). The exhaust pipe [Se] should be 10 mm (3/8”) or a tube with an inner diameter of at least 8 mm (5/16”). Insert the supplied fitting tube into the exhaust outlet plug out, and then attach the pipe to the GT5C. The discharge capacity will not be increased effectively if the fitting tube is not installed properly.



## Installation Procedure

Installation, inspection, maintenance, repairs, disassembly, adjustment and valve opening/closing should be carried out only by trained maintenance personnel.

### (1) Pumped Medium:

- Fluids that can be discharged through the PowerTrap are limited to steam condensate. PowerTraps that have been specially constructed for other specific fluids are not limited by this restriction.

### (2) Connecting the piping

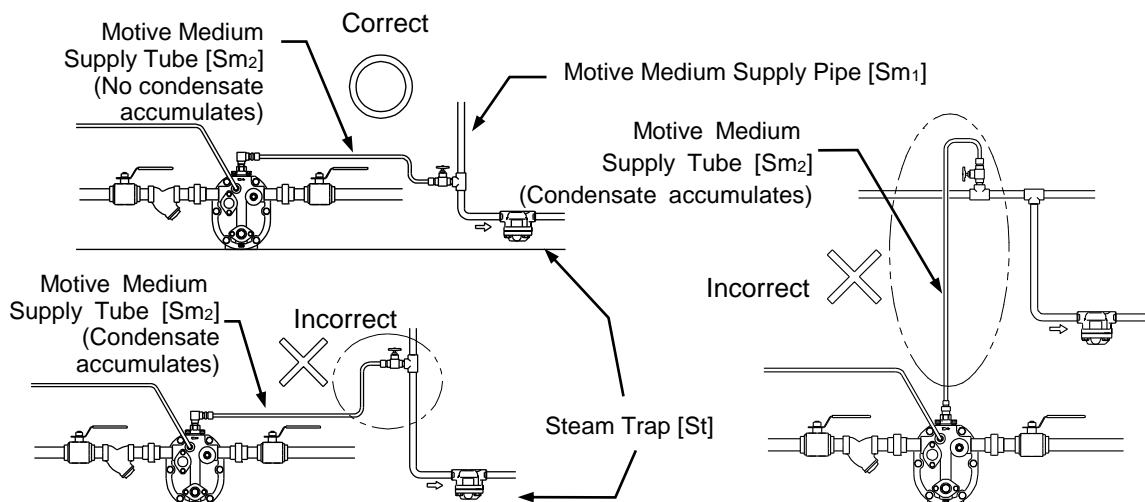
- When connecting piping to the product, install appropriate piping support to prevent the piping load from being applied to the product. If piping load is applied, it may cause damage to threaded parts or leakage may occur from the sealing part.

### (3) Motive Medium Supply Pipe [Sm<sub>1</sub>] and Motive Medium Supply Tube [Sm<sub>2</sub>]:

- The motive medium supply pipe [Sm<sub>1</sub>] and valve on motive medium supply pipe [Vm] diameter should be at least 15 mm (1/2"). If copper or stainless steel tubes are used for the connection from the motive medium supply pipe [Sm<sub>1</sub>] to the PowerTrap, make sure that the tube's inner diameter is at least 8 mm (5/16") but no more than 3 m (10') in length.

The inner diameter of the valve and tube fittings connecting to the PowerTrap should also be at least 8 mm (5/16").

- Install a strainer [Km] (at least 15 mm (1/2 in) and at least 40-mesh) on the PowerTrap motive medium supply pipe [Sm<sub>1</sub>] as close to the PowerTrap as possible and install a union joint for maintenance, while allowing sufficient space for maintenance of the strainer. Strainers should be angled in the 3 or 9 o'clock positions for horizontal installations.
- Only use steam as the motive medium.
- The maximum motive medium supply pressure is 0.5 MPaG (75 psig, 5 barg).
- Install a drip leg on the motive medium supply pipe [Sm<sub>1</sub>], and a steam trap [ST] on the drip leg.
- Proper discharge capacity may not be achieved if condensate accumulates in the motive medium supply pipe [Sm<sub>1</sub>] or tube [Sm<sub>2</sub>]. In addition, rust and scale cause steam leakage, which results in the PowerTrap becoming inoperable.
- Make sure to use steel pipe for the motive medium supply tube [Sm<sub>2</sub>].

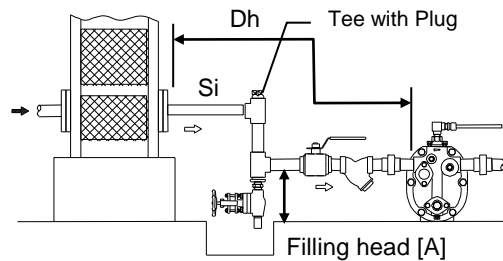


## (4) Pressure Reducing Valve on the Motive Medium Supply Piping:

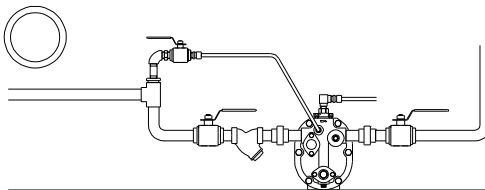
- When the motive medium pressure [Pm] is greater than 0.5 MPaG (75 psig, 5 barg), install a TLV pressure reducing valve (such as the DR20) in order to reduce the motive medium pressure to the PowerTrap. In order to prevent the pressure from rising at dead end shut off, be sure to install a relief valve between the pressure reducing valve and the PowerTrap.
- The pressure setting on the pressure reducing valve should be between 0.05 and 0.15 MPa (7 and 20 psi, 0.5 and 1.5 bar) higher than the back pressure [Pb]. When the pumping capacity of the PowerTrap is insufficient for the set motive pressure, increase this set pressure even further.

## (5) Inlet and Outlet Piping

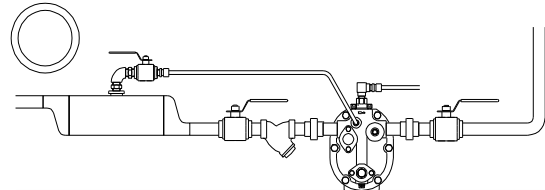
- Install condensate inlet pipe [Si] to help condensate flow into the PowerTrap by gravity. Even if the exhaust tube is not used (see drawing to the right), use a tee so that the exhaust tube can be connected when needed. The pipe thickness should be schedule 40 or less for proper operation.
- Install a condensate inlet strainer [Ki] (40-mesh or finer) on the PowerTrap pumped medium inlet pipe and install a union joint for maintenance. The installation should be in a location that allows sufficient space for maintenance of the strainer [Ki].
- Condensate outlet pipe [So] diameter should be at least 25 mm (1"). Refer to "Sizing the Condensate Reservoir Pipe" at the end of this section for the size of condensate inlet pipe [Si] (length of Dh).



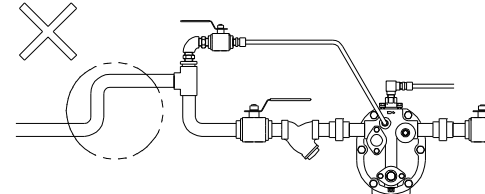
Correct



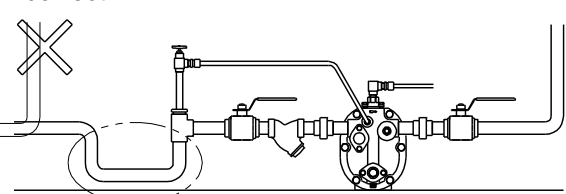
Correct



Incorrect



Incorrect



- During pumping operation, the PowerTrap uses the motive medium supply pressure to push out the condensate in the trap. The GT5C can discharge approximately 1.4 liters ( $\frac{3}{8}$  US Gallons) of pumped medium for each discharge operation. The amount of time required for each discharge operation will be between 5 and 30 seconds, depending on the back pressure and the motive medium pressure. This means that the instantaneous flow through the condensate outlet pipe [So] during the discharge operation is between 170 kg (370 lb) and 1 metric ton (2200 lb) per hour. Flow meters must not be installed on the condensate outlet pipe [So]. Install a steam flow meter at the equipment inlet if necessary.

## (6) Valves on the Various Pipes

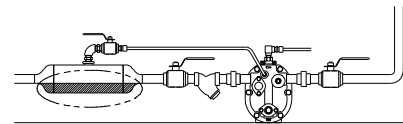
- In order to ensure the proper discharge capacity, use full bore ball valves or gate valves on the pumped medium inlet [Vi] and outlet lines [Vo].
- Be sure to install blowdown valve [Vb]. A bellows sealed valve is recommended, due to the lack of leakage from the gland and easy flow rate adjustment.
- Install union or flanged joints between the valves and the PowerTrap to allow for easy maintenance.
- Be sure to provide the necessary maintenance space for PowerTrap disassembly and repair (see “Maintenance Space”).

## (7) Reservoir Pipe and Filling Head [A]

- Please refer to “Size of the Condensate Reservoir Pipe” shown below.

The size and length (volume) are determined by the amount of pumped medium held back while the PowerTrap is discharging. Therefore, the area below the inlet piping cannot be considered in the effective volume of the reservoir [Dh].

- The filling head [A] represents the distance from the installation surface of the PowerTrap (from grade) to the bottom of the inlet piping (condensate reservoir [Si]), shown as [A] in the sketches in “Steam System Example”. The minimum filling head for GT5C is 155 mm (6”).



Shaded area is not included in reservoir volume calculations

### Sizing the Condensate Reservoir Pipe

The PowerTrap reservoir pipe size for each condensate discharge amount should be selected from the following table.

Condensate Amount kg/h	Diameter [mm (in)] and Length [m] of Condensate Reservoir Pipe				
	25 (1)	32 (1¼)	40 (1½)	50 (2)	80 (3)
50	0.6 (m)				
100	1.2	0.6	0.4		
150	1.8	1.0	0.6	0.4	
200	2.4	1.3	0.8	0.5	
300		2.0	1.2	0.7	
400		2.6	1.5	1.0	
500			2.0	1.2	0.5

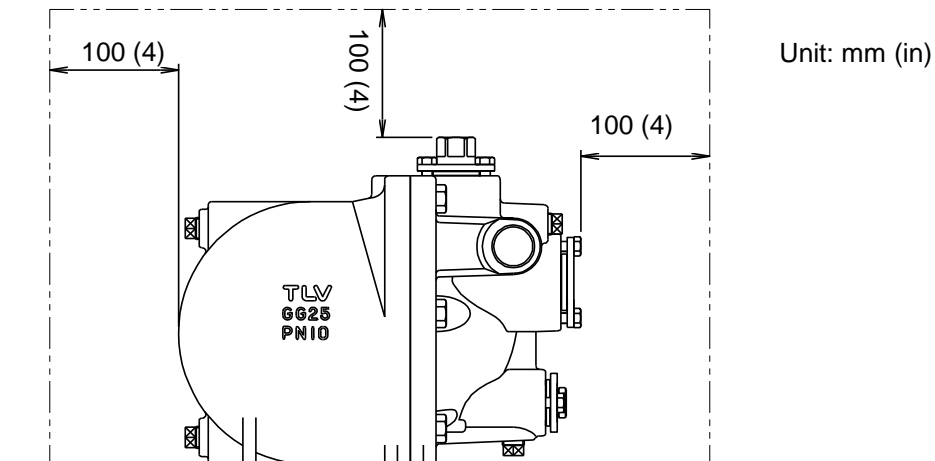
Condensate Amount lb/h	Diameter [in] and Length [ft] of Condensate Reservoir Pipe				
	1"	1¼"	1½"	2"	3"
100	2.0 (ft)				
150	3.0	1.5			
200	3.9	2.0	1.3		
300	5.6	3.0	2.0	1.3	
500		4.9	3.0	2.0	
700		6.9	4.0	2.5	1.0
1000			5.5	3.5	1.5

If the motive medium supply pressure [ $P_m$ ]/back pressure ( $P_b$ )  $\geq 2$ , the length of condensate reservoir pipe can be reduced by ½.

## Maintenance Space and Tolerance Angle for Installation

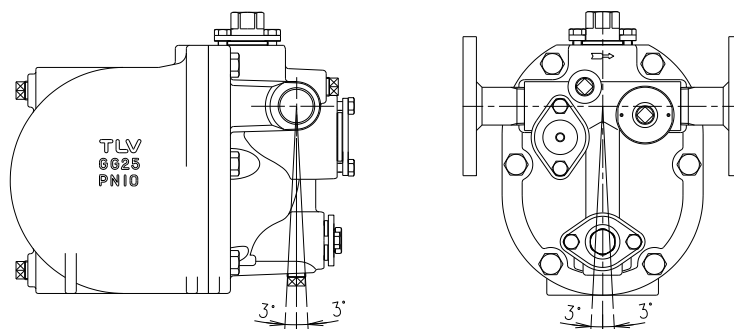
### Maintenance Space

The maintenance space shown in the figure below should be provided to enable inspection and disassembly/repair of the PowerTrap.



### Tolerance Angle for Installation

The product should be inclined no more than 3°. Make sure the body is installed with the raised TLV lettering on the body horizontal.



## Operation and Periodic Inspection

### CAUTION

- After all piping work has been completed in accordance with the specific piping system designed when the decision to utilize the PowerTrap was made, check once again to make sure that all pipe connections have been tightened, gaskets have been inserted where needed and all parts are securely installed.
- At the start-up of operation, large quantities of condensate may flow, causing the PowerTrap to momentarily overload. Open the inlet valve gradually so that the condensate flows in slowly.

### CAUTION

- Repairs or disassembly of the piping, adjustment and valve opening/closing should be carried out only by trained maintenance personnel.
- Before connecting piping or disassembling the product, close the inlet and outlet valves and make every effort to reduce the internal pressure to cool the product to room temperature.
- When disassembling connecting parts, remove pipes and bolts slowly to prevent condensate from suddenly flowing out in the event of residual pressure inside the product.

### CAUTION

Install properly and **DO NOT** use this product outside the recommended operating pressure, temperature and other specification ranges. Improper use may result in such hazards as damage to the product or malfunctions which may lead to serious accidents. Local regulations may restrict the use of this product to below the conditions quoted.

### CAUTION

When disassembling or removing the product, wait until the internal pressure equals atmospheric pressure and the surface of the product has cooled to room temperature. Disassembling or removing the product when it is hot or under pressure may lead to discharge of fluids, causing burns, other injuries or damage.

### CAUTION

Be sure to use only the recommended components when repairing the product, and **NEVER** attempt to modify the product in any way. Failure to observe these precautions may result in damage to the product or burns or other injury due to malfunction or the discharge of fluids.

Installation, inspection, maintenance, repairs, disassembly, adjustment and valve opening/closing should be carried out only by trained maintenance personnel.

## Operation

### (1) Valve Operation

During the first operation after installation, or re-operation after a long shutdown, open blowdown valve [Vb] (ensuring that the area around the opening is safe) to eliminate rust and scale completely. Refer to the "Steam System Example" drawings in the "Installation" section to become familiar with the symbols used for the various valves.

If water hammer has occurred, immediately cease operation and close any valves that are operating.

- Slowly open the valve [Ve] on the exhaust pipe.
- Slowly open the valve [Vm] on the motive medium supply pipe. Make sure that there is no sound of flow from the exhaust pipe [Se] or the condensate inlet pipe [Si].
- Slowly open the valve [Vo] on the pumped medium outlet pipe.
- Slowly open the valve [Vi] on the pumped medium inlet pipe.
- During normal trapping operation (equipment side pressure > back pressure), the GT5C discharges condensate continuously. During stall or reverse pressure (equipment side pressure ≤ back pressure), the GT5C switches to pumping operation. The PowerTrap is normal if it operates intermittently during pumping operation; first exhausting the motive medium to fill with pumped medium, then taking in motive medium to force the condensate out.



The interval of operation will vary greatly depending on the amount of pumped medium inflow, the temperature, the motive medium (steam) pressure. (The interval of operation is considered the length of time between the start of one discharge cycle and the start of the next discharge cycle.)

The relation between the interval of operation  $T_c$  (seconds) and the amount of inflowing pumped medium ( $Q$  or  $Q_p$ ) can be roughly determined using the following formula:

$$T_c = 5,000/Q \quad Q = 5,000/T_c \quad Q: \text{amount of inflowing pumped medium (kg/h)}$$

$$T_c = 11,111/Q_p \quad Q_p = 11,111/T_c \quad Q_p: \text{amount of inflowing pumped medium (lb/h)}$$

- (2) If an error such as a leak or water hammer occurs after beginning PowerTrap operation, shut off the valves immediately in the following order:  
valve [Vm] on motive medium supply pipe → pumped medium inlet valve [Vi] → pumped medium outlet valve [Vo] → valve [Ve] on exhaust pipe
- (3) Whenever any type of malfunction is suspected in the PowerTrap, refer to the “Troubleshooting” section.

### Periodic Inspection and Diagnosis

There are two types of periodic inspection: the visual inspection and the disassembly inspection.

#### (1) Visual Inspection

- As a general rule, this inspection should be performed at least once every 3 months.
- Check the following items:
  - a) There should be no leakage from the PowerTrap or from any of the connections.
  - b) The PowerTrap unit should make continuous sound during trapping operation (equipment side pressure > back pressure).
  - c) The PowerTrap unit should be operating cyclically without continuous sound in the motive medium supply pipe or the exhaust pipe during the pumping operation (equipment side pressure ≤ back pressure).
  - d) Pumped medium should not accumulate in the (steam-using) equipment, and the temperature of the equipment should not be abnormally low.
  - e) There should not be any abnormal noise (such as water hammer) from the pumped medium outlet pipe or the pumped medium recovery line when the PowerTrap operates.

#### (2) Disassembly Inspection

- Refer to the “Disassembly/Reassembly” section.
- As a general rule, this inspection should be performed at least once every 2 years.
- When inspecting the interior of the unit, check the following items:
  - a) Make sure the snap-action unit moves up and down smoothly as the float rises and falls.
  - b) Make sure the valve of the trap unit moves up and down smoothly as it opens and closes.
  - c) Make sure the intake/exhaust valves move up and down smoothly.
  - d) Make sure the float is not damaged and is not filled with water.
  - e) Make sure all nuts and bolts are properly installed and fastened.
  - f) Check to make sure that there is no foreign matter sticking to the shafts and levers of any of the units, and make sure there is no abnormal wear.
- When reassembling, be sure to replace the body and cover gaskets with new gaskets if damaged.
- Also, replace any parts that are broken or show serious wear.
- If any parts require replacement, refer to the “Replacement Parts” List.

## Disassembly/Reassembly



### WARNING

NEVER apply direct heat to the float. The float may explode due to increased internal pressure, causing accidents leading to serious injury or damage to property and equipment.



### CAUTION

- Repairs or disassembly of the piping, adjustment and valve opening/closing should be carried out only by trained maintenance personnel.
- Before connecting piping or disassembling the product, close the inlet and outlet valves and make every effort to reduce the internal pressure to cool the product to room temperature.
- When disassembling connecting parts, remove pipes and bolts slowly to prevent condensate from suddenly flowing out in the event of residual pressure inside the product.



### CAUTION

Use hoisting equipment for heavy objects (weighing approximately 20 kg (44 lb) or more). Failure to do so may result in back strain or other injury if the object should fall.



### CAUTION

When disassembling or removing the product, wait until the internal pressure equals atmospheric pressure and the surface of the product has cooled to room temperature. Disassembling or removing the product when it is hot or under pressure may lead to discharge of fluids, causing burns, other injuries or damage.



### CAUTION

Do not use excessive force when connecting threaded pipes to the product. Over-tightening may cause breakage leading to fluid discharge, which may cause burns or other injury.

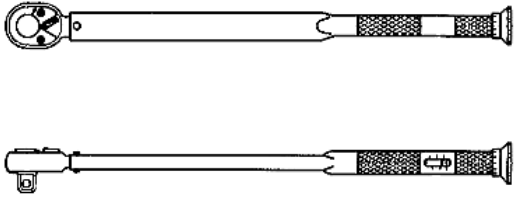
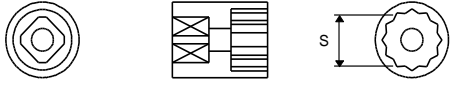
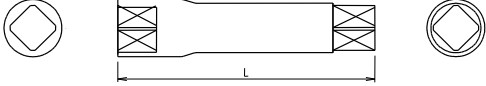
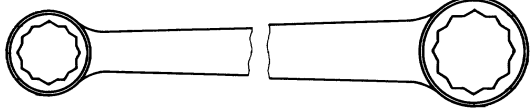
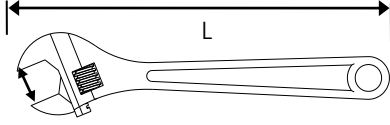
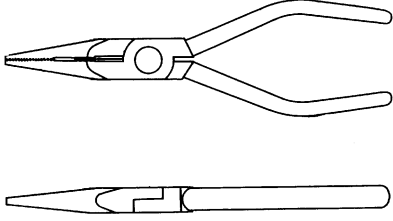

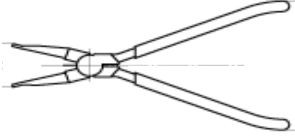
Use the procedures on the following pages to remove components. Use the same procedures in reverse to reassemble. (Installation, inspection, maintenance, repairs, disassembly, adjustment and valve opening/closing should be carried out only by trained maintenance personnel.)

In cases where sufficient maintenance space has been provided for (see “Maintenance Space”), maintenance can be carried out without disconnecting the inlet and outlet piping. Where there is insufficient maintenance space, first disconnect the inlet and outlet piping, and then move the unit to a spacious area in which maintenance can be carried out safely.

When reassembling:

- Also replace any gaskets, units or parts that are broken or show serious wear. If any parts require replacement, refer to “Replacement Parts”.
- When reassembling, coat threads and bolts with anti-seize. Tighten the body and cover bolts in a uniform manner left and right, being careful to avoid uneven tightening.
- If drawings or other special documentation were supplied for the product, any torque given there takes precedence over values shown here.

### Recommended Tools List for Disassembly/Reassembly

No.	Tool Name	Step Used	Tool
1	Torque Wrench (Ratchet) 0 – 100 N·m (0 – 73 lbf·ft)	1,2,3,4,5,6	
2	Sockets Distance across flats = S 13 mm (1/2") 19 mm (3/4") 22 mm (7/8")	3,4,6 2,5 4	
3	Extension Bar L = 150 mm (5 7/8")	5	
4	Offset Wrench 13 mm (1/2") 19 mm (3/4") 22 mm (7/8")	3,4,6 2 4	
5	Adjustable Wrench L=200 – 300 mm (8" – 12")	1, 6	
6	Needle-Nose Pliers	3	
7	Hex Key 2.5mm (3/32")	6	
8	Internal Snap Ring Pliers	4	

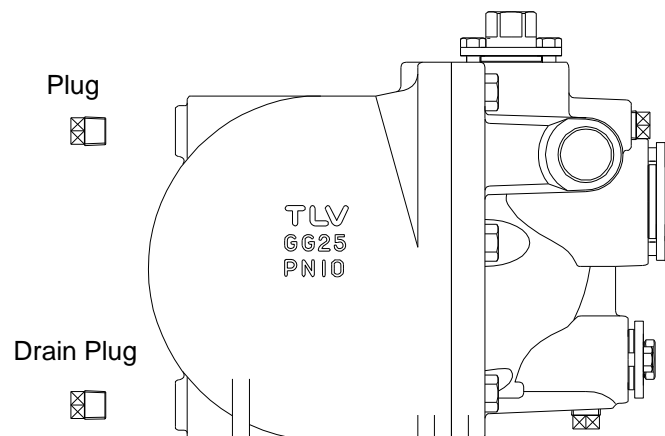
(1 N·m  $\approx$  10 kg·cm<sup>2</sup>)

## 1. Before Removing/Reattaching

Discharge the condensate from the body before removing parts.

Part	Disassembly	Reassembly
Plug	<ul style="list-style-type: none"> <li>Discharging condensate is carried out with the intake (motive medium), exhaust, inlet and outlet piping still connected to the unit.</li> <li>Using an adjustable wrench, slowly loosen plug to release pressure and discharge fluid. Take care to avoid being burned by fluid discharge. (Opening this plug may help to discharge condensate in the body more easily when the drain plug is opened.)</li> </ul>	<ul style="list-style-type: none"> <li>Wrap threads with 3 – 3.5 turns of sealing tape or apply sealing compound.</li> <li>Tighten to a torque of 30 N·m (22 lbf·ft).</li> </ul>
Drain Plug	<ul style="list-style-type: none"> <li>Using an adjustable wrench, slowly loosen plug to release pressure and discharge fluid, take care to avoid being burned by fluid discharge.</li> </ul>	<ul style="list-style-type: none"> <li>Wrap threads with 3 – 3.5 turns of sealing tape or apply sealing compound.</li> <li>Tighten to a torque of 30 N·m (22 lbf·ft).</li> </ul>

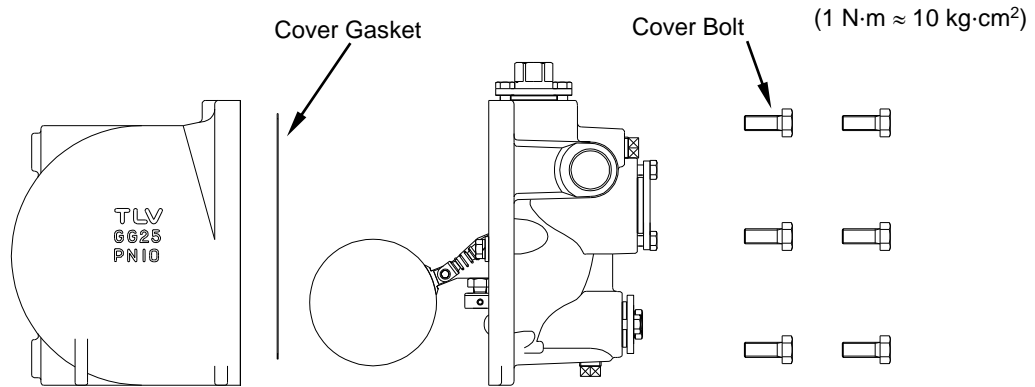
(1 N·m  $\approx$  10 kg·cm<sup>2</sup>)



## 2. Removing/Reattaching the Body from/to the Cover

Prepare a new, replacement cover gasket before beginning this step.

Cover Bolts	<ul style="list-style-type: none"> <li>Using a 19 mm (¾") socket wrench, loosen each bolt slowly one turn in an alternating diagonal pattern.</li> <li>Once all bolts have been loosened, verify that there is no internal pressure before completely removing the bolts.</li> </ul>	<ul style="list-style-type: none"> <li>Reverse steps in disassembly.</li> <li>Tighten to a torque of 60 N·m (44 lbf·ft).</li> </ul>
Body / Cover	<ul style="list-style-type: none"> <li>When removing the body, lift the float and the float lever slightly to avoid contact with the float.</li> </ul>	<ul style="list-style-type: none"> <li>Reverse steps in disassembly while referring to the figure below.</li> </ul>
Cover Gasket	<ul style="list-style-type: none"> <li>The gasket may be damaged or destroyed upon disassembly, as it is inlaid in the body and may adhere to that groove; using a scratch-free scraper, carefully scrape the gasket from the body.</li> </ul>	<ul style="list-style-type: none"> <li>Replace with a new gasket if damaged.</li> </ul>

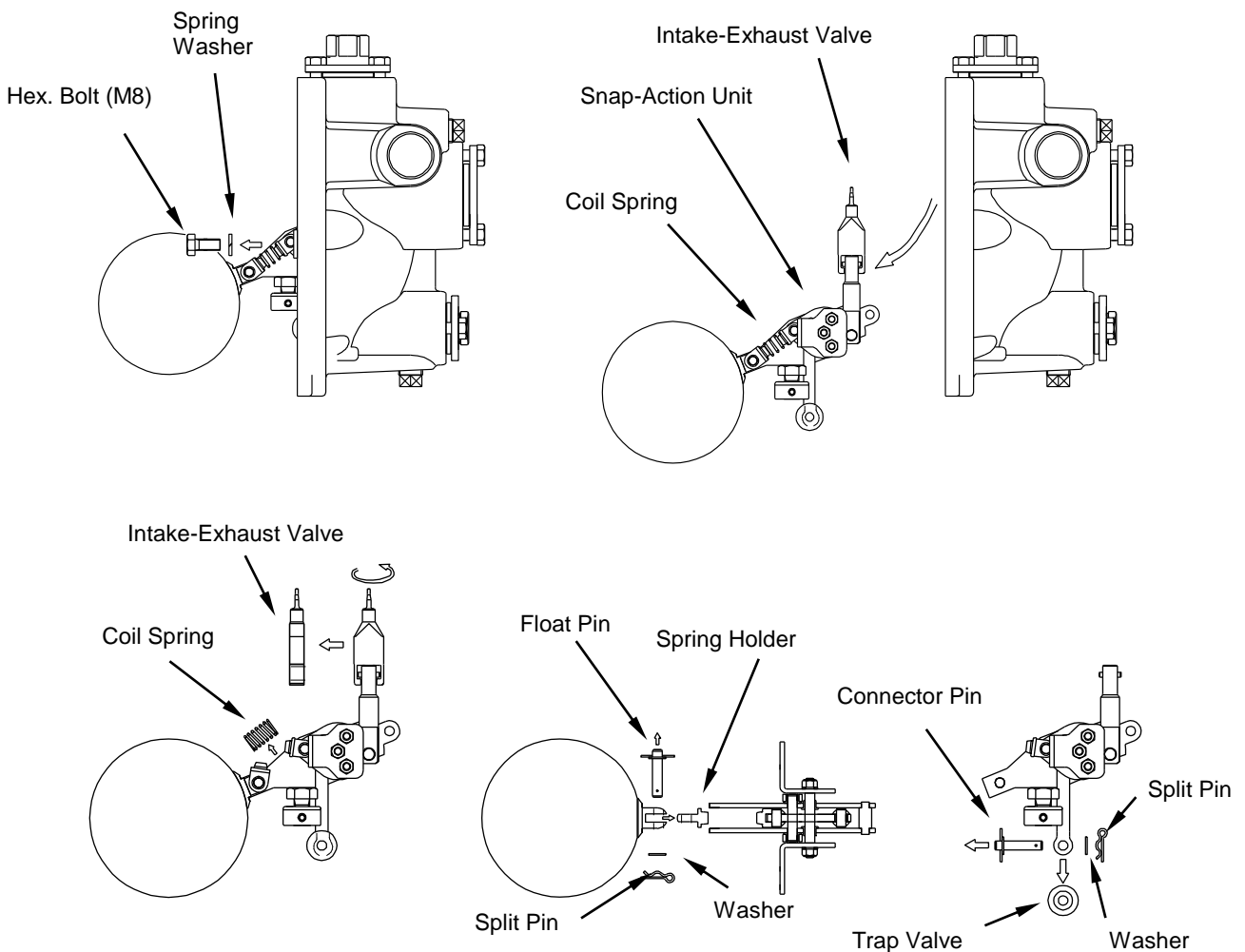


## 3. Removing/Reattaching the Snap Action Unit

Part	Disassembly	Reassembly
Bolts / Spring Washers	<ul style="list-style-type: none"> <li>Using a 13 mm (½") socket wrench, slowly loosen the two bolts that are holding the snap-action unit to the cover.</li> </ul>	<ul style="list-style-type: none"> <li>Coat the bolt threads with anti-seize.</li> <li>Be sure to reinsert spring washers.</li> <li>Assemble the bolts and spring washers, then finger-tighten.</li> <li>Tighten to a torque of 35 N·m (26 lbf·ft)</li> </ul>
Snap-Action Unit	<ul style="list-style-type: none"> <li>Support the snap-action unit with one hand while removing the loosened bolts and spring washers from the cover with the other.</li> <li>Remove snap action unit from the cover holding it down.</li> <li>Be careful not to let any parts fall, including the coil spring or intake-exhaust valve.</li> <li>Do not tip the snap-action unit, as the intake-exhaust valve may fall off.</li> <li>When working with the snap-action unit, take care not to pinch fingers, etc.</li> </ul>	<ul style="list-style-type: none"> <li>Reinsert the snap-action unit very carefully, inserting tips of intake-exhaust valve into the bottom of their respective valve seats, then continuing to insert all the way up into the valve seat as you reattach the snap-action unit.</li> <li>Align the snap-action unit bolt holes to the bolt holes in the cover.</li> </ul>

Continued on next page

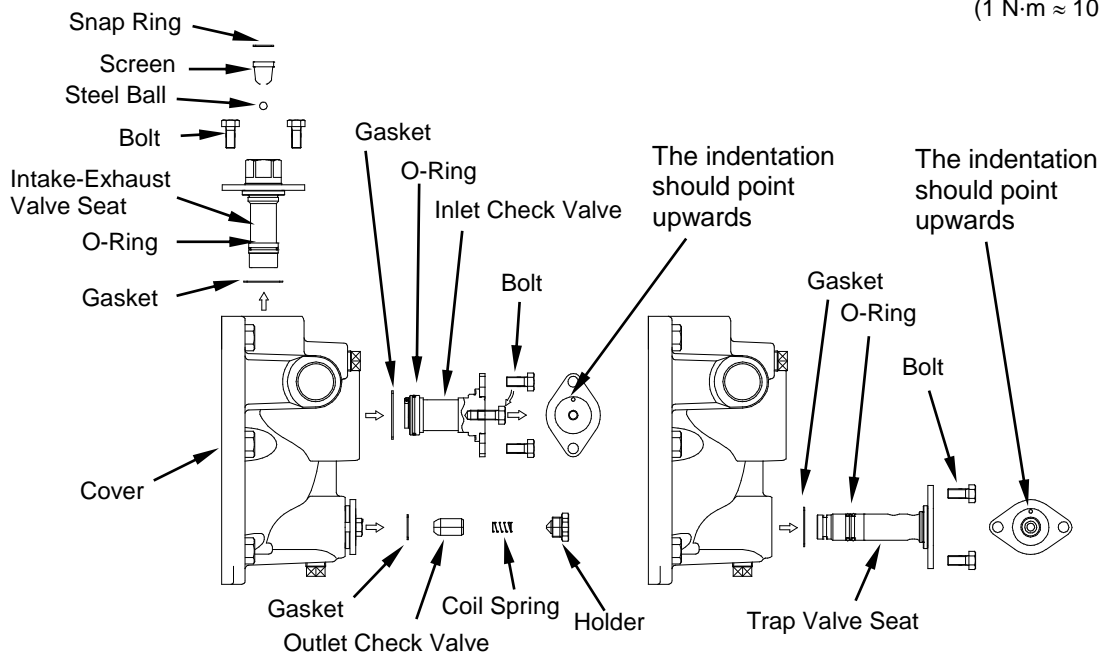
Part	Disassembly	Reassembly
Intake-Exhaust Valve	<ul style="list-style-type: none"> <li>Remove the intake-exhaust valve by rotating it 90°.</li> <li>Remove the coil spring.</li> </ul>	<ul style="list-style-type: none"> <li>Reattach the intake-exhaust valve by rotating it 90°.</li> <li>Reattach the coil spring.</li> </ul>
Float/Float Pin/Spring Washer/Split Pin	<ul style="list-style-type: none"> <li>Remove the float and the float holder by removing the float pin and pulling out the split pin.</li> <li>Be careful not to let the float fall. Do not drop the float or lose the washers.</li> <li>Replace the float if it is filled with water or cracked.</li> </ul>	<ul style="list-style-type: none"> <li>Reattach the float and the spring holder by inserting the float pin and the split pin.</li> <li>The coil spring will be inserted later.</li> <li>If readjusting the position of the trap valve, refer to "Positioning Adjustment of Trap Valve" to adjust the position of the trap valve, before reattaching the float.</li> </ul>
Trap Valve/Connecting Pin/Spring Washer/Split Pin	<ul style="list-style-type: none"> <li>Replace trap unit if the trap valve is damaged.</li> <li>Remove the trap valve by removing the connector pin while pulling out the split pin.</li> <li>Be careful not to allow the trap valve to fall or lose the washers.</li> </ul>	<ul style="list-style-type: none"> <li>The trap valve can be reused if not damaged.</li> <li>Reattach the trap valve by inserting the connector pin and the split pin.</li> </ul>



4. Removing/Reattaching Each Unit

Part	Disassembly	Reassembly
Intake-Exhaust Valve Seat/ Bolt/Snap Ring Screen/Steel Ball/O-Ring/ Gasket	<ul style="list-style-type: none"> <li>Remove bolts with a 13 mm (1/2") socket wrench.</li> <li>Remove the intake-exhaust valve seat from the cover.</li> <li>Be careful not to let the steel ball and the screen fall when removing the snap ring.</li> <li>Remove the O-ring.</li> <li>Clean the sealing surfaces.</li> </ul>	<ul style="list-style-type: none"> <li>Replace with a new O-ring</li> <li>Replace with a new gasket if it is damaged.</li> <li>Coat O-ring with heatproof grease and be sure to clean the mounting surface in the cover.</li> <li>Tighten to a torque of 10 N-m (7 lbf-ft).</li> </ul>
Inlet Check Valve Seat/ Bolt/O-Ring/ Gasket	<ul style="list-style-type: none"> <li>Remove bolts with a 13 mm (1/2") socket wrench.</li> <li>Remove the inlet check valve seat from the cover.</li> <li>If difficult, screw the bolt into the center of the inlet check valve and use it to remove the valve seat.</li> <li>Remove the O-ring.</li> <li>Clean the sealing surfaces.</li> </ul>	<ul style="list-style-type: none"> <li>Replace with a new O-ring</li> <li>Replace with a new gasket if it is damaged.</li> <li>Coat O-ring with heatproof grease and be sure to clean the mounting surface in the cover.</li> <li>In order to orient the hinge of the valve upwards, be sure the indentation is pointed upwards.</li> <li>Tighten to a torque of 10 N-m (7 lbf-ft).</li> </ul>
Outlet Check Valve/Spring Holder/Coil Spring/Gasket	<ul style="list-style-type: none"> <li>Take out the outlet check valve unit before removing the trap unit.</li> <li>Remove the spring holder with a 22 mm (7/8") socket wrench.</li> <li>Be careful not to let the coil spring and the gasket fall.</li> </ul>	<ul style="list-style-type: none"> <li>Be sure to clean the mounting surface of trap valve seat.</li> <li>Replace with a new gasket if it is damaged.</li> <li>Tighten to a torque of 60 N-m (44 lbf-ft).</li> </ul>
Trap Valve Seat /Bolt/ O-Ring/Gasket	<ul style="list-style-type: none"> <li>Remove bolts with a 13 mm (1/2") socket wrench.</li> <li>Remove the trap valve seat from the cover.</li> </ul>	<ul style="list-style-type: none"> <li>Replace with a new O-ring</li> <li>Replace with a new gasket if it is damaged.</li> <li>Coat O-ring with heatproof grease and be sure to clean the mounting surface in the cover.</li> <li>In order to assure proper flow direction, be sure the indentation is pointed upwards.</li> <li>Tighten to a torque of 10 N-m (7 lbf-ft).</li> </ul>

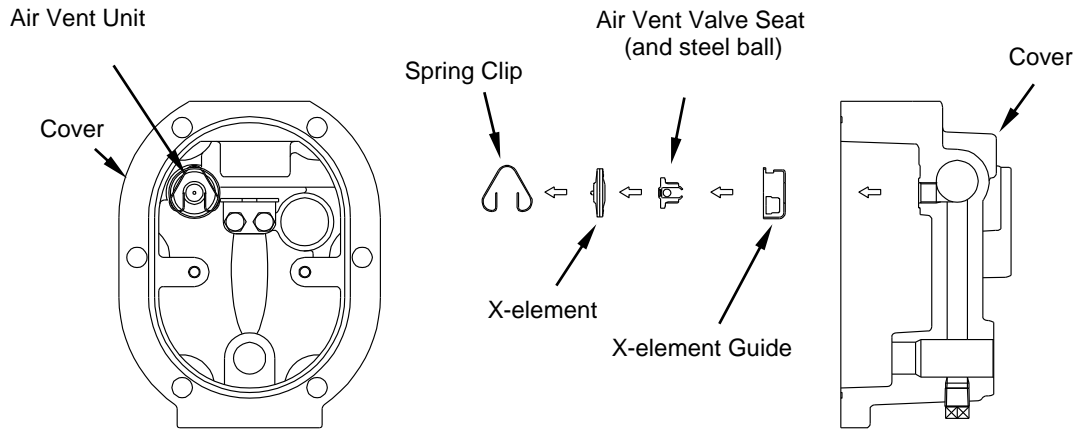
(1 N·m ≈ 10 kg·cm<sup>2</sup>)



**5. Removing/Reattaching of Air Vent Unit**

Part / Step	Disassembly	Reassembly
Spring Clip/ X-element/ Air Vent Valve Seat/ X-element Guide	<ul style="list-style-type: none"> <li>• Remove the spring clip with your fingers.</li> <li>• Remove the X-element.</li> <li>• Remove the air vent valve seat with a 19 mm (¾") socket wrench.</li> <li>• Remove the X-element Guide</li> </ul>	<ul style="list-style-type: none"> <li>• Make sure that the check valve (a small steel ball) in the air vent valve seat can open and close smoothly with the spring.</li> <li>• Tighten to a torque of 35 N·m (26 lbf·ft).</li> </ul>

(1 N·m ≈ 10 kg·cm<sup>2</sup>)





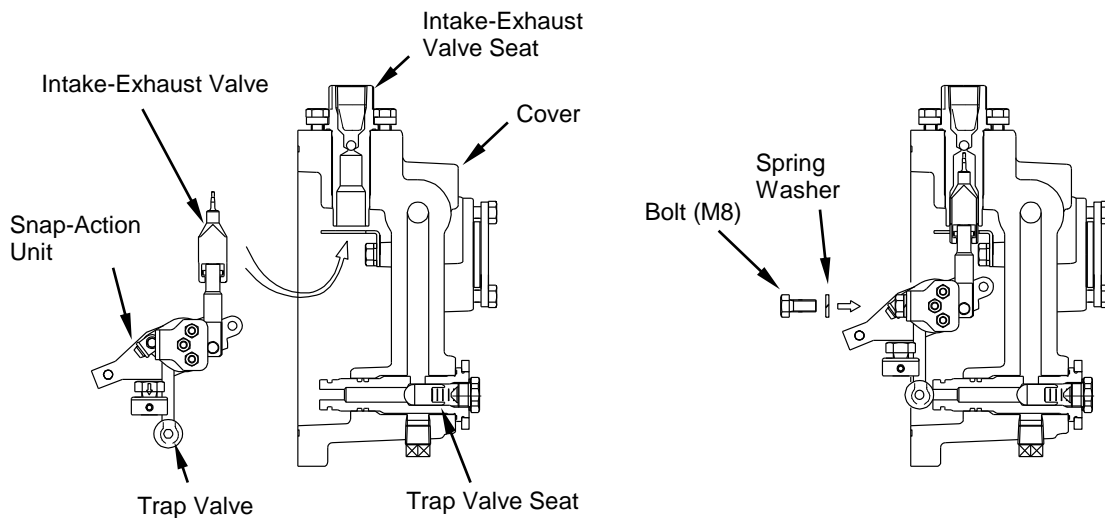
## 6. Positioning Adjustment of the Trap Valve

Adjustment of the trap valve position is required if leakage occurs from the trap valve or a gap between the orifice and the trap valve exists.

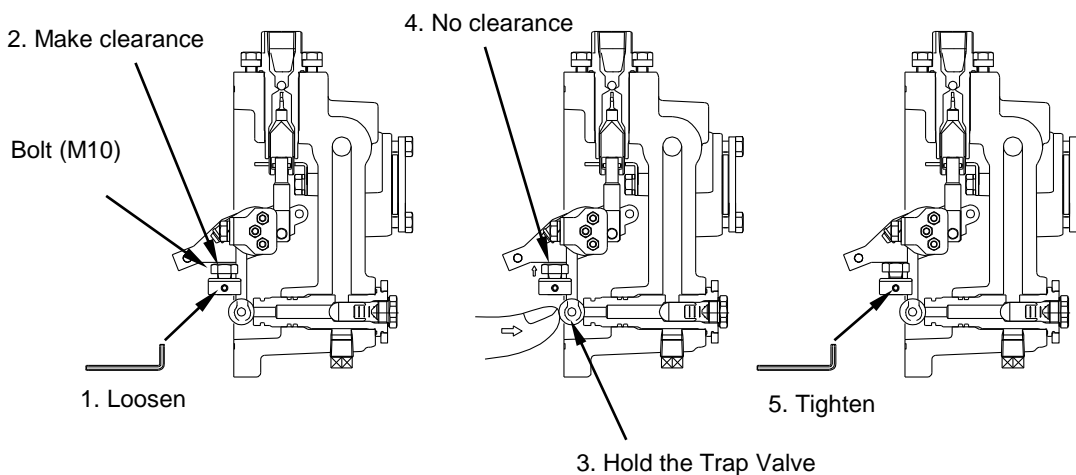
Item	Procedure
Installation of Snap Action Unit	<ul style="list-style-type: none"> <li>• Install the snap action unit assembled with the motive intake valve and the trap valve (the float is not yet attached) to the cover assembled with the trap valve seat and the intake-exhaust valve seat.</li> <li>• Using a 13 mm (1/2") socket wrench, tighten two bolts equally to a torque of 35 N·m (26 lbf·ft).</li> </ul>
Adjustment of the Trap Valve Position	<ul style="list-style-type: none"> <li>• Using a 2.5mm (3/32") allen wrench, loosen both stopper screws which fix the bolt (M10) located above the trap valve.</li> <li>• To determine proper float orientation, adjust bolt (M10) so that there is a gap between the snap-action lever and the bolt (M10) when the float is in the lowered position. Push the trap valve against the trap valve seat and hold it with one finger while adjusting the bolt (M10) so that there is no gap between the snap-action lever and the bolt.</li> <li>• Using a 2.5mm (3/32") allen wrench, tighten both screws to a torque of 3 N·m (2 lbf·ft) to fix the bolt (M10).</li> </ul>

(1 N·m ≈ 10 kg·cm<sup>2</sup>)

### Installation of Snap Action Unit



### Adjustment of the Trap Valve Position



## Troubleshooting



### WARNING

NEVER apply direct heat to the float. The float may explode due to increased internal pressure, causing accidents leading to serious injury or damage to property and equipment.



### CAUTION

- Repairs or disassembly of the piping, adjustment and valve opening/closing should be carried out only by trained maintenance personnel.
- Before connecting piping or disassembling the product, close the inlet and outlet valves and make every effort to reduce the internal pressure to cool the product to room temperature.
- When disassembling connecting parts, remove pipes and bolts slowly to prevent condensate from suddenly flowing out in the event of residual pressure inside the product.



### CAUTION

When disassembling or removing the product, wait until the internal pressure equals atmospheric pressure and the surface of the product has cooled to room temperature. Disassembling or removing the product when it is hot or under pressure may lead to discharge of fluids, causing burns, other injuries or damage.

When the desired performance is not attained with the system, in many cases it is due to the following:

- (1) Loose chips from pipe cutting and tapping and/or welding scraps or sealant get caught in the intake valve (motive medium) or check valve and prevent them from closing/operating properly.
- (2) Changes in the amount of condensate inflow, motive pressure or back pressure that are in excess of the original design.

Since successful operation of the PowerTrap system depends on the proper design and installation of the system, investigate the entire system to locate the source of problems when they occur. When no source can be identified, inspect the PowerTrap and take whatever action is necessary.

### Determining the Problem from the Symptoms

Use the “Types of Failure and their Causes” table on the following page to determine the cause of the problem from the type of abnormality that has occurred. Apply the corrective measures listed in the “Causes and Corrective Measures” table.

## Types of Failure and their Causes

Detailed explanations of the meanings of the numbers listed in the “Types of Failure” column are found in the “Causes and Corrective Measures” table.

Pump is in the correct operating condition when  $P_i \leq P_b$  (equipment pressure  $P_i$  is equal to or lower than back pressure  $P_b$ ). Trap is in the correct operating condition when  $P_i > P_b$ , (equipment pressure  $P_i$  is higher than back pressure  $P_b$ ).

	Has the PowerTrap operated at least once?	Has pumped medium collected in the PowerTrap?	Is there a continuous flowing sound from the motive medium supply pipe?	Is there a continuous flowing sound from the exhaust pipe?	Types of Failure (Category A – G) and Corrective Measures (Causes 1 – 5)										
					A	B	C	D	E	F	G				
Does not Pump	NO	NO	NO	NO	1,2,3				1		3				
			YES	YES					1						
	YES	YES	NO	NO	1,4		1,2								
			YES	NO							1				
			YES	YES							2	1			
			NO	NO				2							
			YES	NO											
			YES	YES								3			
	Does not Trap	YES	YES	NO	NO	1	1,2				3,4,5				
				YES	NO								1		
YES				YES									2	1	
Has pumped medium accumulated in the equipment, or has water hammer occurred?															
Has steam leaked in the outlet side or has water hammer occurred in outlet piping?						3		1,2,3	4				1,2		
Has reverse flow sent steam back into the equipment?												5		1,2	

## Causes and Corrective Measures

Category	Cause	Procedure
A. A valve on the pipeline is closed	<ol style="list-style-type: none"> <li>1. The valve on the motive medium supply pipe is closed</li> <li>2. The valve on the exhaust pipe is closed</li> <li>3. The valve on the condensate inlet pipe is closed</li> <li>4. The valve on the condensate outlet pipe is closed</li> </ol>	<ul style="list-style-type: none"> <li>• Slowly open the valve, using the proper procedure</li> </ul> <p>Check valves around the PowerTrap. If they are open, check other valves on pipes connected to the PowerTrap, as the valve may have been left closed due to other repairs or maintenance</p>
B. The strainer is clogged	<ol style="list-style-type: none"> <li>1. The strainer on the motive medium supply pipe is clogged</li> <li>2. The strainer on the condensate inlet pipe is clogged</li> </ol>	<ul style="list-style-type: none"> <li>• Clean the strainer</li> </ul> <p>Please note that a large amount of rust and/or scale may accumulate during initial startup of seasonal-use equipment.</p>
C. Faulty motive medium pressure, back pressure or pressure inside equipment	1. The motive medium supply pressure is less than the back pressure	<ul style="list-style-type: none"> <li>• When the motive medium pressure is decreasing, adjust the pressure reducing valve on the supply pipe or connect to a separate high-pressure line</li> <li>• If the back pressure has increased, check to see if a steam trap connected to the pumped medium recovery line is blowing (see "Steam System Example") and check for any valves that have been left closed on the pumped medium recovery line</li> <li>• The motive medium pressure must be about 0.1 MPa (15 psi, 1 bar) higher than the back pressure.</li> </ul>
	2. Insufficient motive medium	<ul style="list-style-type: none"> <li>• If the motive medium supply pipe is too small, change to a larger size pipe; the pipe should be at least 15 mm (½") near the PowerTrap</li> <li>• In case a tube is used for connecting the motive medium pipe to the PowerTrap, the tube's inner diameter (including valves and fittings in between) should be at least 8mm (5/16") and within 2m (6½') length.</li> </ul>
	3. Pressure inside equipment or motive medium supply pressure exceeds maximum operating pressure of PowerTrap	<ul style="list-style-type: none"> <li>• When the pressure inside the equipment or the motive medium supply pressure exceeds the maximum operating pressure of the PowerTrap, the intake-exhaust valve or the trap valve stays closed, which results in inability to discharge condensate. Reduce the pressure to lower than the maximum operating pressure</li> <li>• Check the reason that the pressure inside equipment or motive medium supply pressure has increased, and take any necessary measures to fix it</li> </ul>

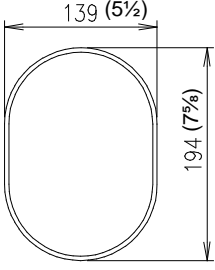
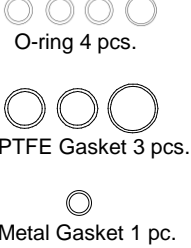
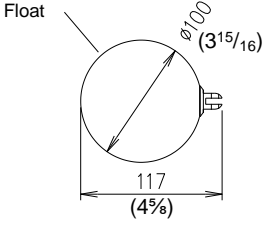
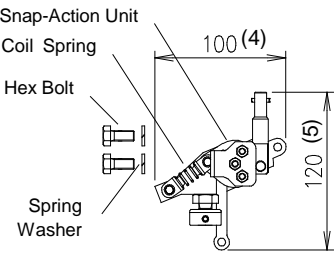
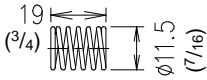
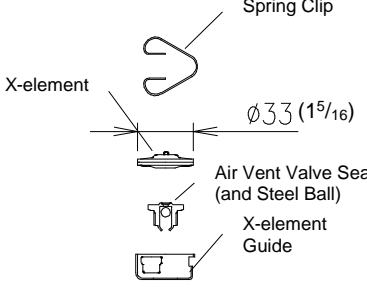
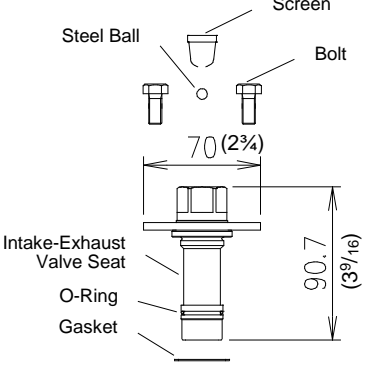
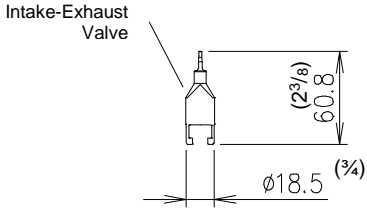
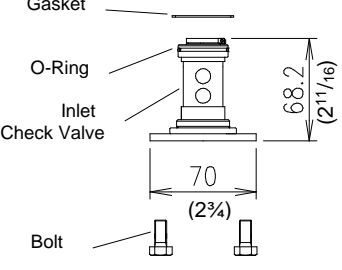
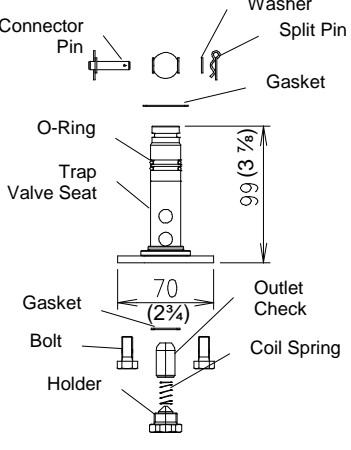
Category	Cause	Procedure
D. Faulty piping	<ol style="list-style-type: none"> <li>1. The exhaust is abnormal</li> <li>2. The pumped medium inlet pipe is too small</li> <li>3. Not enough pumped medium is flowing through the pumped medium inlet valve</li> </ol>	<ul style="list-style-type: none"> <li>• Air-locking or vapor-locking has occurred. The exhaust pipe is connected to the reservoir (inlet pipe), but the pumped medium may not be exchanged for the medium inside the PowerTrap for the following reasons:               <ol style="list-style-type: none"> <li>1. There are places that accumulate condensate such as a U-shaped pipe between the exhaust port and the reservoir (inlet pipe)</li> <li>2. The inner diameter of the exhaust pipe or tube is less than 8 mm (<math>\frac{5}{16}</math>" )</li> <li>3. The fitting tube is not installed properly. Change and correct the pipe Refer to "Installation Procedure"</li> </ol> </li> <li>• Normal pumped medium flow may not be obtained if the pumped medium inlet pipe is too small or the valve on the pumped medium inlet pipe is a needle valve or one with a small Cv value.</li> <li>• The pipe and stop valve size must be increased to the design pipe size, and a full bore ball valve or gate valve must be used</li> </ul>
E. Faulty PowerTrap	<ol style="list-style-type: none"> <li>1. Dirt or scale is caught in the motive medium intake-exhaust valve or the valve is worn</li> <li>2. Dirt or scale is caught in the intake-exhaust valve seat or the valve seat is worn</li> <li>3. The snap-action unit is obstructed by dirt or scale or its operation is otherwise faulty</li> <li>4. The float is broken or filled with water</li> <li>5. Dirt or scale is caught in the trap unit, resulting in faulty valve opening/closing</li> </ol>	<ul style="list-style-type: none"> <li>• If the PowerTrap does not operate for long periods of time, in spite of the fact that pumped medium has collected in the reservoir or equipment, if there is no sound at all of the operating medium flowing in the motive medium supply pipe/tube and the exhaust pipe/tube, it is possible that the PowerTrap is faulty. Note, however, that this phenomenon will also occur when the motive medium pressure is equal to or less than the back pressure</li> <li>• If the PowerTrap does not operate for long periods of time and the sound of the operating medium can be heard continuously in the motive medium supply pipe/tube, the PowerTrap is faulty Disassemble the PowerTrap, and inspect the following items:               <ol style="list-style-type: none"> <li>1. Raise and lower the float and check to make sure the snap-action unit operates properly</li> <li>2. Check the motive medium intake-exhaust valve and valve seat to make sure there is no dirt or scale caught or any other abnormality</li> <li>3. Check other possible factors that might hinder operation</li> </ol> </li> </ul> <p>After performing the above inspection, repair any defects discovered or replace the PowerTrap</p>

<b>Category</b>	<b>Cause</b>	<b>Corrective Measure</b>
F. Faulty check valve	1. Dirt or scale is caught in the pumped medium inlet check valve or the valve is worn or getting hung up	<ul style="list-style-type: none"> <li>The operating medium that has been supplied is leaking from the inlet check valve, preventing the pressure inside the trap from increasing; as a result, the pumped medium is not discharged</li> </ul> Disassembly and inspection is required
	2. Dirt or scale is caught in the pumped medium outlet check valve or the valve is worn or getting hung up	<ul style="list-style-type: none"> <li>The discharged pumped medium has flowed back into the PowerTrap, causing the interval at which the unit operates to grow shorter and reducing its discharge capacity</li> </ul> Disassembly and inspection is required
G. Degradation or damage of gasket and O-ring	1. Damage when assembling 2. Aging degradation	<ul style="list-style-type: none"> <li>When condensate or steam leaks from the PowerTrap, tighten the bolts with the proper torque or replace the gasket with a new one.</li> <li>When steam leaks into the equipment (to the pumped medium inlet side) or outlet piping, check the O-ring.</li> </ul>

## Replacement Parts

The following replacement parts kits are available from TLV. Parts are not available individually, only together in kits.

Dimensions: mm (in)

<p><b>1. Cover Gasket</b></p> 	<p><b>2. Seal Set</b></p>  <p>O-ring 4 pcs. PTFE Gasket 3 pcs. Metal Gasket 1 pc.</p>	<p><b>3. Float</b></p>  <p>Float 100 (3 15/16) 117 (4 5/8)</p>
<p><b>4. Snap-Action Unit</b></p>  <p>Snap-Action Unit Coil Spring Hex Bolt Spring Washer 100 (4) 120 (5)</p>	<p><b>5. Coil Spring</b></p>  <p>19 (3/4) 11.5 (7/16)</p>	<p><b>6. Air Vent Unit</b></p>  <p>Spring Clip X-element 33 (1 5/16) Air Vent Valve Seat (and Steel Ball) X-element Guide</p>
<p><b>7. Intake-Exhaust Valve Unit</b></p>  <p>Steel Ball Screen Bolt 70 (2 3/4) 90.7 (3 9/16) Intake-Exhaust Valve Seat O-Ring Gasket</p>  <p>Intake-Exhaust Valve 60.8 (2 3/8) 18.5 (3/4)</p>	<p><b>8. Inlet Check Valve</b></p>  <p>Gasket O-Ring Inlet Check Valve 70 (2 3/4) 68.2 (2 11/16) Bolt</p>	<p><b>9. Trap Valve Unit</b></p>  <p>Connector Pin Washer Split Pin Gasket 99 (3 7/8) 70 (2 3/4) Outlet Check Coil Spring Holder Bolt Trap Valve Seat O-Ring Gasket</p>

## TLV EXPRESS LIMITED WARRANTY

Subject to the limitations set forth below, TLV CO., LTD., a Japanese corporation (“**TLV**”), warrants that products which are sold by it, TLV International Inc. (“**TII**”) or one of its group companies excluding TLV Corporation (a corporation of the United States of America), (hereinafter the “**Products**”) are designed and manufactured by TLV, conform to the specifications published by TLV for the corresponding part numbers (the “**Specifications**”) and are free from defective workmanship and materials. The party from whom the Products were purchased shall be known hereinafter as the “**Seller**”. With regard to products or components manufactured by unrelated third parties (the “**Components**”), TLV provides no warranty other than the warranty from the third party manufacturer(s), if any.

### Exceptions to Warranty

This warranty does not cover defects or failures caused by:

1. improper shipping, installation, use, handling, etc., by persons other than TLV, TII or TLV group company personnel, or service representatives authorized by TLV; or
2. dirt, scale or rust, etc.; or
3. improper disassembly and reassembly, or inadequate inspection and maintenance by persons other than TLV or TLV group company personnel, or service representatives authorized by TLV; or
4. disasters or forces of nature or Acts of God; or
5. abuse, abnormal use, accidents or any other cause beyond the control of TLV, TII or TLV group companies; or
6. improper storage, maintenance or repair; or
7. operation of the Products not in accordance with instructions issued with the Products or with accepted industry practices; or
8. use for a purpose or in a manner for which the Products were not intended; or
9. use of the Products in a manner inconsistent with the Specifications; or
10. use of the Products with Hazardous Fluids (fluids other than steam, air, water, nitrogen, carbon dioxide and inert gases (helium, neon, argon, krypton, xenon and radon)); or
11. failure to follow the instructions contained in the TLV Instruction Manual for the Product.

### Duration of Warranty

This warranty is effective for a period of one (1) year after delivery of Products to the first end user. Notwithstanding the foregoing, asserting a claim under this warranty must be brought within three (3) years after the date of delivery to the initial buyer if not sold initially to the first end user.

ANY IMPLIED WARRANTIES NOT NEGATED HEREBY WHICH MAY ARISE BY OPERATION OF LAW, INCLUDING THE IMPLIED WARRANTIES OF MERCHANTABILITY AND FITNESS FOR A PARTICULAR PURPOSE AND ANY EXPRESS WARRANTIES NOT NEGATED HEREBY, ARE GIVEN SOLELY TO THE INITIAL BUYER AND ARE LIMITED IN DURATION TO ONE (1) YEAR FROM THE DATE OF SHIPMENT BY THE SELLER.

### Exclusive Remedy

THE EXCLUSIVE REMEDY UNDER THIS WARRANTY, UNDER ANY EXPRESS WARRANTY OR UNDER ANY IMPLIED WARRANTIES NOT NEGATED HEREBY (INCLUDING THE IMPLIED WARRANTIES OF MERCHANTABILITY AND FITNESS FOR A PARTICULAR PURPOSE), IS **REPLACEMENT**; PROVIDED: (a) THE CLAIMED DEFECT IS REPORTED TO THE SELLER IN WRITING WITHIN THE WARRANTY PERIOD, INCLUDING A DETAILED WRITTEN DESCRIPTION OF THE CLAIMED DEFECT AND HOW AND WHEN THE CLAIMED DEFECTIVE PRODUCT WAS USED; AND (b) THE CLAIMED DEFECTIVE PRODUCT AND A COPY OF THE PURCHASE INVOICE IS RETURNED TO THE SELLER, FREIGHT AND TRANSPORTATION COSTS



PREPAID, UNDER A RETURN MATERIAL AUTHORIZATION AND TRACKING NUMBER ISSUED BY THE SELLER. ALL LABOR COSTS, SHIPPING COSTS, AND TRANSPORTATION COSTS ASSOCIATED WITH THE RETURN OR REPLACEMENT OF THE CLAIMED DEFECTIVE PRODUCT ARE SOLELY THE RESPONSIBILITY OF BUYER OR THE FIRST END USER. THE SELLER RESERVES THE RIGHT TO INSPECT ON THE FIRST END USER'S SITE ANY PRODUCTS CLAIMED TO BE DEFECTIVE BEFORE ISSUING A RETURN MATERIAL AUTHORIZATION. SHOULD SUCH INSPECTION REVEAL, IN THE SELLER'S REASONABLE DISCRETION, THAT THE CLAIMED DEFECT IS NOT COVERED BY THIS WARRANTY, THE PARTY ASSERTING THIS WARRANTY SHALL PAY THE SELLER FOR THE TIME AND EXPENSES RELATED TO SUCH ON-SITE INSPECTION.

#### **Exclusion of Consequential and Incidental Damages**

IT IS SPECIFICALLY ACKNOWLEDGED THAT THIS WARRANTY, ANY OTHER EXPRESS WARRANTY NOT NEGATED HEREBY, AND ANY IMPLIED WARRANTY NOT NEGATED HEREBY, INCLUDING THE IMPLIED WARRANTIES OF MERCHANTABILITY AND FITNESS FOR A PARTICULAR PURPOSE, DO NOT COVER, AND NEITHER TLV, TII NOR ITS TLV GROUP COMPANIES WILL IN ANY EVENT BE LIABLE FOR, INCIDENTAL OR CONSEQUENTIAL DAMAGES, INCLUDING, BUT NOT LIMITED TO LOST PROFITS, THE COST OF DISASSEMBLY AND SHIPMENT OF THE DEFECTIVE PRODUCT, INJURY TO OTHER PROPERTY, DAMAGE TO BUYER'S OR THE FIRST END USER'S PRODUCT, DAMAGE TO BUYER'S OR THE FIRST END USER'S PROCESSES, LOSS OF USE, OR OTHER COMMERCIAL LOSSES. WHERE, DUE TO OPERATION OF LAW, CONSEQUENTIAL AND INCIDENTAL DAMAGES UNDER THIS WARRANTY, UNDER ANY OTHER EXPRESS WARRANTY NOT NEGATED HEREBY OR UNDER ANY IMPLIED WARRANTY NOT NEGATED HEREBY (INCLUDING THE IMPLIED WARRANTIES OF MERCHANTABILITY AND FITNESS FOR A PARTICULAR PURPOSE) CANNOT BE EXCLUDED, SUCH DAMAGES ARE EXPRESSLY LIMITED IN AMOUNT TO THE PURCHASE PRICE OF THE DEFECTIVE PRODUCT. THIS EXCLUSION OF CONSEQUENTIAL AND INCIDENTAL DAMAGES, AND THE PROVISION OF THIS WARRANTY LIMITING REMEDIES HEREUNDER TO REPLACEMENT, ARE INDEPENDENT PROVISIONS, AND ANY DETERMINATION THAT THE LIMITATION OF REMEDIES FAILS OF ITS ESSENTIAL PURPOSE OR ANY OTHER DETERMINATION THAT EITHER OF THE ABOVE REMEDIES IS UNENFORCEABLE, SHALL NOT BE CONSTRUED TO MAKE THE OTHER PROVISIONS UNENFORCEABLE.

#### **Exclusion of Other Warranties**

THIS WARRANTY IS IN LIEU OF ALL OTHER WARRANTIES, EXPRESS OR IMPLIED, AND ALL OTHER WARRANTIES, INCLUDING BUT NOT LIMITED TO THE IMPLIED WARRANTIES OF MERCHANTABILITY AND FITNESS FOR A PARTICULAR PURPOSE, ARE EXPRESSLY DISCLAIMED.

#### **Severability**

Any provision of this warranty which is invalid, prohibited or unenforceable in any jurisdiction shall, as to such jurisdiction, be ineffective to the extent of such invalidity, prohibition or unenforceability without invalidating the remaining provisions hereof, and any such invalidity, prohibition or unenforceability in any such jurisdiction shall not invalidate or render unenforceable such provision in any other jurisdiction.

## Service

For Service or Technical Assistance: Contact your TLV representative or your regional TLV office.

### In Europe:

#### **TLV EURO ENGINEERING GmbH**

Daimler-Benz-Straße 16-18, 74915 Waibstadt, **Germany**

Tel: [49]-(0)7263-9150-0  
Fax: [49]-(0)7263-9150-80

#### **TLV EURO ENGINEERING UK LTD.**

Units 7 & 8, Furlong Business Park, Bishops Cleeve, Gloucestershire GL52 8TW, **U.K.**

Tel: [44]-(0)1242-227223  
Fax: [44]-(0)1242-223077

#### **TLV EURO ENGINEERING FRANCE SARL**

Parc d'Ariane 2, bât. C, 290 rue Ferdinand Perrier, 69800 Saint Priest, **France**

Tel: [33]-(0)4-72482222  
Fax: [33]-(0)4-72482220

### In North America:

#### **TLV CORPORATION**

13901 South Lakes Drive, Charlotte, NC 28273-6790, **U.S.A.**

Tel: [1]-704-597-9070  
Fax: [1]-704-583-1610

### In Mexico and Latin America:

#### **TLV ENGINEERING S. A. DE C. V.**

Av. Jesús del Monte 39-B-1001, Col. Hda. de las Palmas, Huixquilucan, Edo. de México, 52763, **Mexico**

Tel: [52]-55-5359-7949  
Fax: [52]-55-5359-7585

### In Oceania:

#### **TLV PTY LIMITED**

Unit 8, 137-145 Rooks Road, Nunawading, Victoria 3131, **Australia**

Tel: [61]-(0)3-9873 5610  
Fax: [61]-(0)3-9873 5010

### In East Asia:

#### **TLV PTE LTD**

36 Kaki Bukit Place, #02-01/02, **Singapore** 416214

Tel: [65]-6747 4600  
Fax: [65]-6742 0345

#### **TLV SHANGHAI CO., LTD.**

Room 5406, No. 103 Cao Bao Road, Shanghai, **China** 200233

Tel: [86]-(0)21-6482-8622  
Fax: [86]-(0)21-6482-8623

#### **TLV ENGINEERING SDN. BHD.**

No.16, Jalan MJ14, Taman Industri Meranti Jaya, 47120 Puchong, Selangor, **Malaysia**

Tel: [60]-3-8065-2928  
Fax: [60]-3-8065-2923

#### **TLV PRIVATE LIMITED**

252/94 (K-L) 17th Floor, Muang Thai-Phatra Complex Tower B, Rachadaphisek Road, Huaykwang, Bangkok 10310, **Thailand**

Tel: [66]-2-693-3799  
Fax: [66]-2-693-3979

#### **TLV INC.**

#302-1 Bundang Technopark B, 723 Pangyo-ro, Bundang, Seongnam, Gyeonggi, 13511, **Korea**

Tel: [82]-(0)31-726-2105  
Fax: [82]-(0)31-726-2195

### In the Middle East:

#### **TLV ENGINEERING FZCO**

Building 2W, No. M002, PO Box 371684, Dubai Airport Free Zone, Dubai, **UAE**

Email: sales-me@tlv.co.jp

### In Other Countries:

#### **TLV INTERNATIONAL, INC.**

881 Nagasuna, Noguchi, Kakogawa, Hyogo 675-8511, **Japan**

Tel: [81]-(0)79-427-1818  
Fax: [81]-(0)79-425-1167

### Manufacturer:

#### **TLV CO., LTD.**

881 Nagasuna, Noguchi, Kakogawa, Hyogo 675-8511, **Japan**

Tel: [81]-(0)79-422-1122  
Fax: [81]-(0)79-422-0112