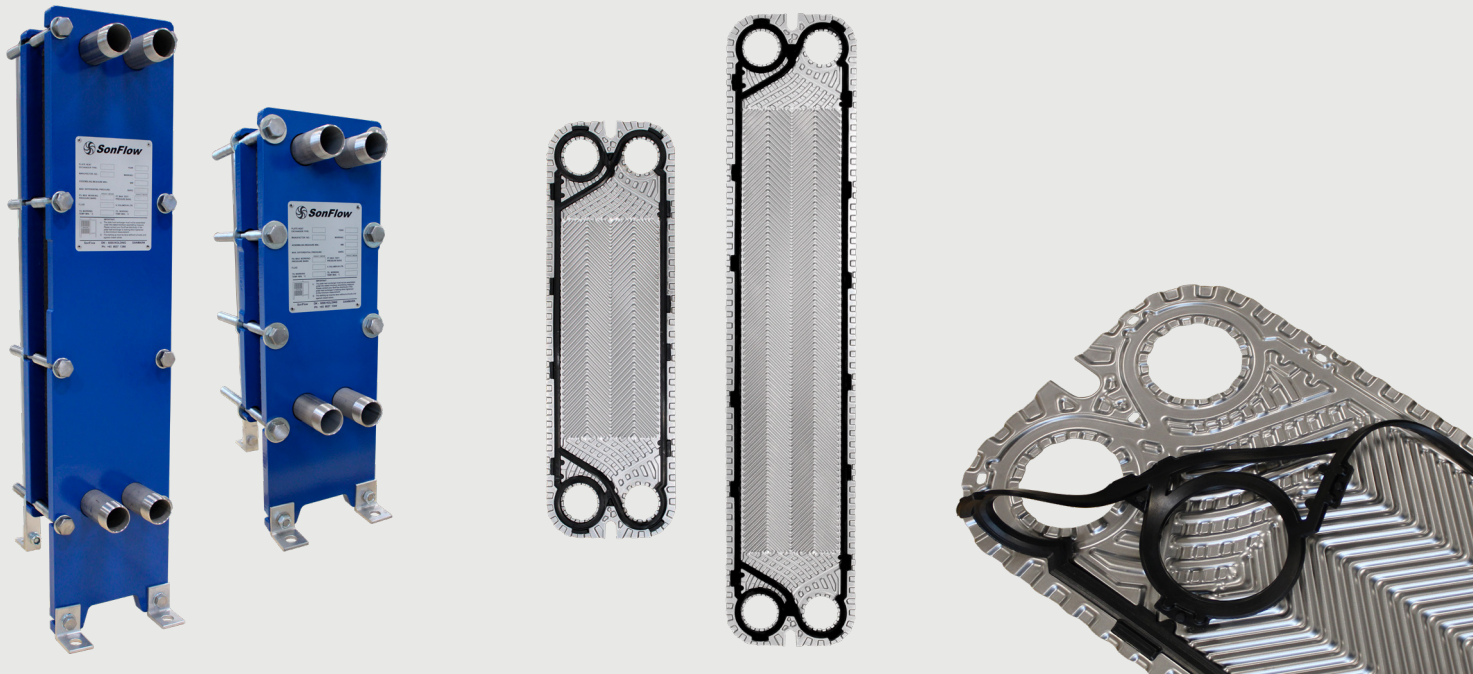




**SonFlow**

# Plate Heat Exchanger SF30 Series

SF31 & SF33



**SonFlow offers a wide range of Plate Heat Exchangers and is the ideal choice suitable for a wide variety of applications across numerous markets segments. SonFlow Plate Heat Exchanger SF30 series will cover many duties in a single pass solution.**

## Typical applications:

- HVAC
- Heat recovery
- Industrial
- Food & beverages
- Sugar industry
- Chemicals
- Marine
- Mining
- Electronics

- Lock gasket system
- Gentle product handling
- Design pressure up to 25 bar
- Operating temperature: up to 180° C
- Leak chamber
- Fixed bolt head
- Lifting lug
- Lining
- Lock washer

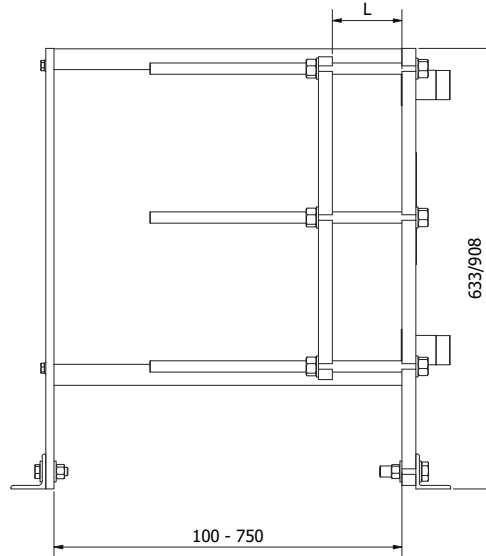
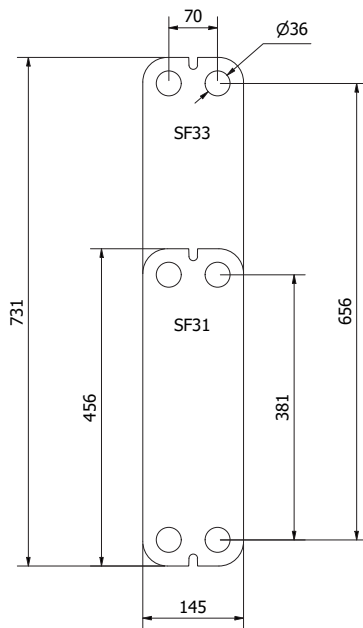
## Features:

Every detail is carefully designed to ensure optimal performance, reduced maintenance costs and decreased downtime:

- Compact design
- High flexibility

## Benefits:

- Lower operating costs
- Cost-effective
- Easy assembly
- Increased energy efficiency
- Easy cleaning
- Dead spots, that cause corrosion and fouling are eliminated



Dimensions in mm

## Design pressure:

- Painted frames: 1.0/1.6/2.5 MPa (145/232/362 PSI)
- Stainless steel: 1.0/1.6 MPa (145/232 PSI)

## Construction standards:

- EN13445
- ASME sec VIII, Div. 1

## Frame:

- Painted frame, RAL 5010 (available in other colours)
- Stainless steel frame

## Connections:

- DN 25/1" dairy pipe or union
- 1¼" threaded pipe BSP/NPT, stainless steel or titanium
- 1.5" threaded pipe BSP/NPT, stainless steel or titanium
- According to all known standards

## Plate material:

- AISI 304/316 and titanium
- Other materials available on request

## Gaskets:

- Click on gasket – a glue less system for sealing
- Materials: NBR, EPDM and Viton
- Other materials available on request

## Accessories:

- Drip tray
- Insulation jackets
- Safety cover
- Assembling spanner
- Foundation feet