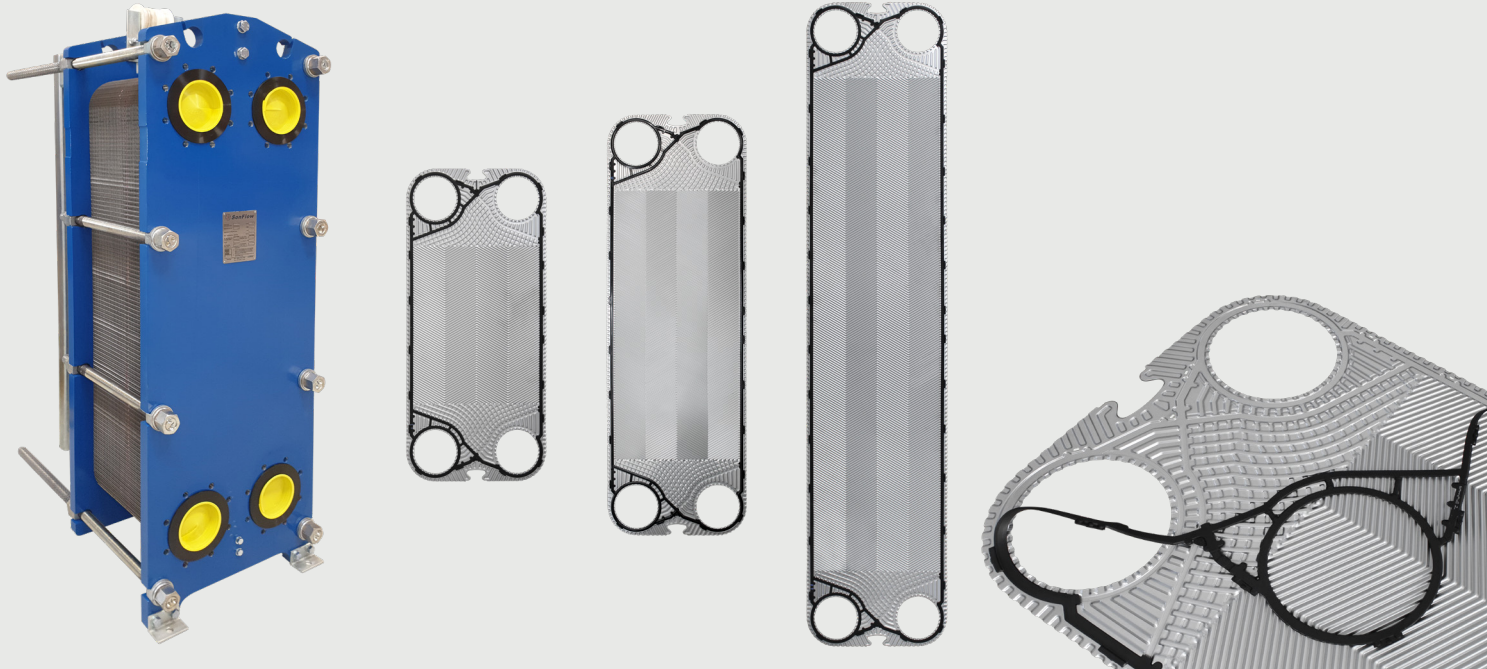


# Plate Heat Exchanger SF150 Series

SF151, SF151D, SF152, SF152D, SF154 & SF156



**SonFlow offers a wide range of Plate Heat Exchangers and is the ideal choice suitable for a wide variety of applications across numerous markets segments. SonFlow Plate Heat Exchanger SF150 series will cover many duties in a single pass solution. The SF151 and SF152 plates are available in two pressing depths.**

## Typical applications:

- HVAC
- Geothermal
- Marine
- Heat recovery
- Food/beverage
- Industrial & chemical market
- Mining
- Data centres

- Gentle product handling
- Design pressure up to 25 bar
- Operating temperature: up to 180 °C
- Leak chamber
- Fixed bolt head
- Lifting lug
- Lining
- Lock washer

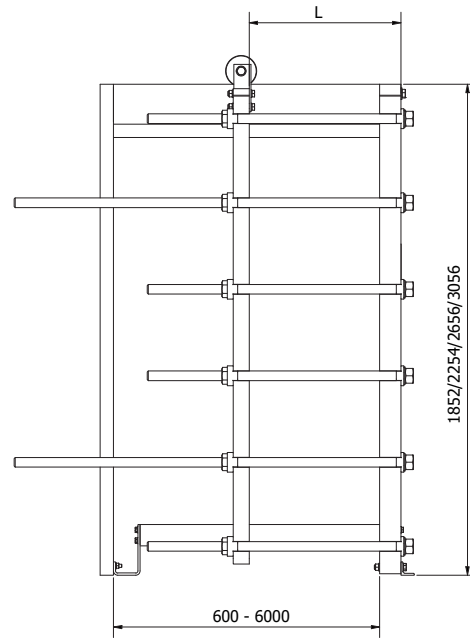
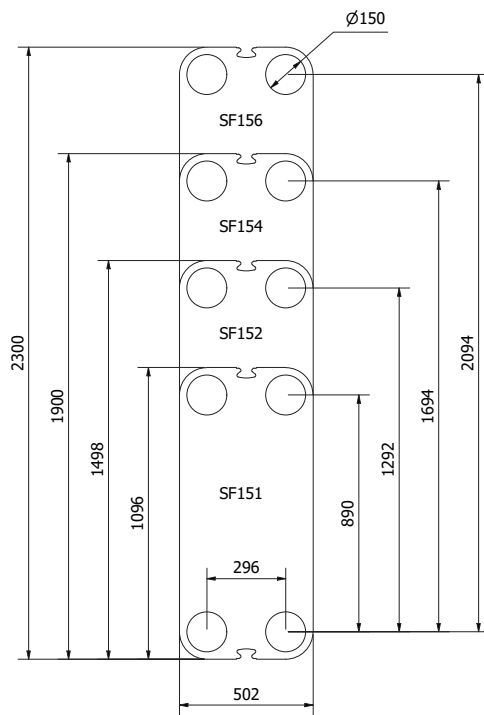
## Features:

Every detail is carefully designed to ensure optimal performance, reduced maintenance costs and decreased downtime:

- Compact design
- High flexibility
- Lock gasket system

## Benefits:

- Lower operating costs
- Cost-effective
- Easy assembly
- Increased energy efficiency
- Easy cleaning
- Dead spots, that cause corrosion and fouling are eliminated



Dimensions in mm

## Design pressure:

- Painted frames: 1.6/2.5 MPa (232/362 PSI)
- Stainless steel frame 1.0/1.6 MPa (145/232 PSI)

## Construction standards:

- EN13445
- ASME sec VIII, Div. 1

## Frame:

- Painted frame, RAL 5010 (available in other colours)
- Stainless steel frame

## Connections:

- DN 150/6" flange in carbon steel, rubber lined or clad with AISI 316 or titanium
- DN 100/4", 125/5", 150/6" dairy pipes or unions
- According to all known standards

## Plate material:

- AISI 304/316 and titanium
- Other materials available on request

## Gaskets:

- Click on gasket – a glue less system for sealing
- Materials: NBR, EPDM and Viton
- Other materials available on request

## Accessories:

- Drip tray
- Insulation jacket
- Safety cover
- Assembling spanner
- Foundation feet